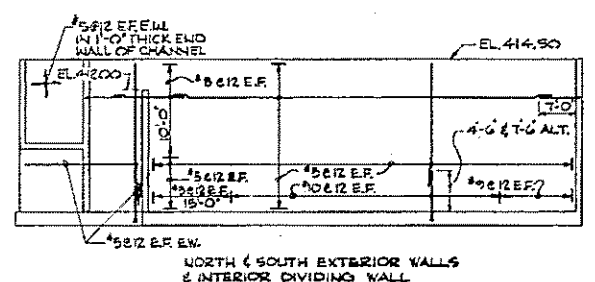
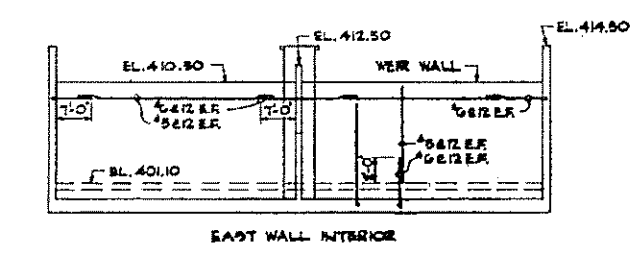


NOTES:
DIMENSIONS GIVEN HERE
FOR INFLUENT CHANNEL
SUPPORT ARE TYPICAL
EXCEPT AS NOTED.

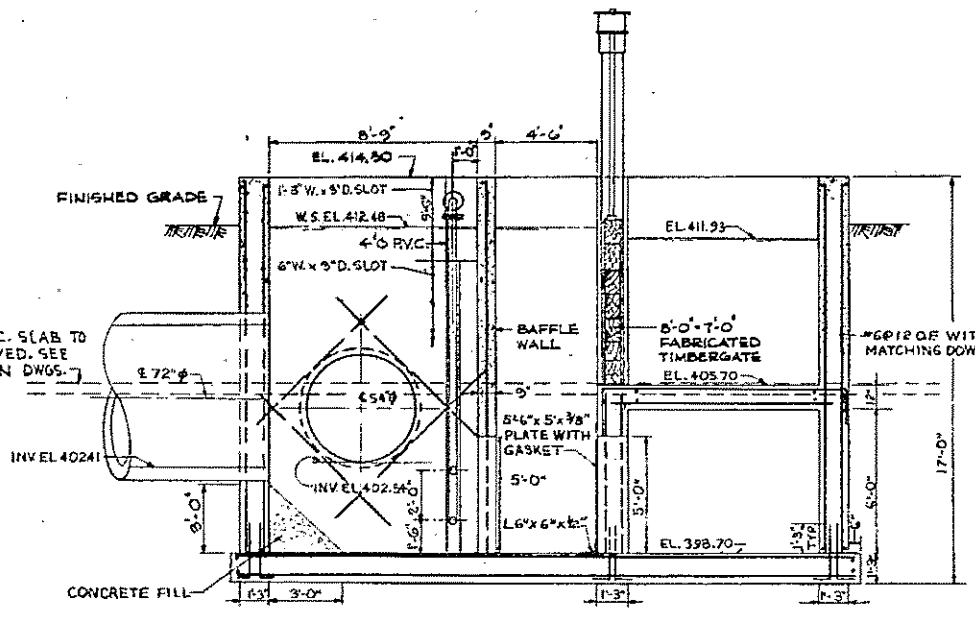
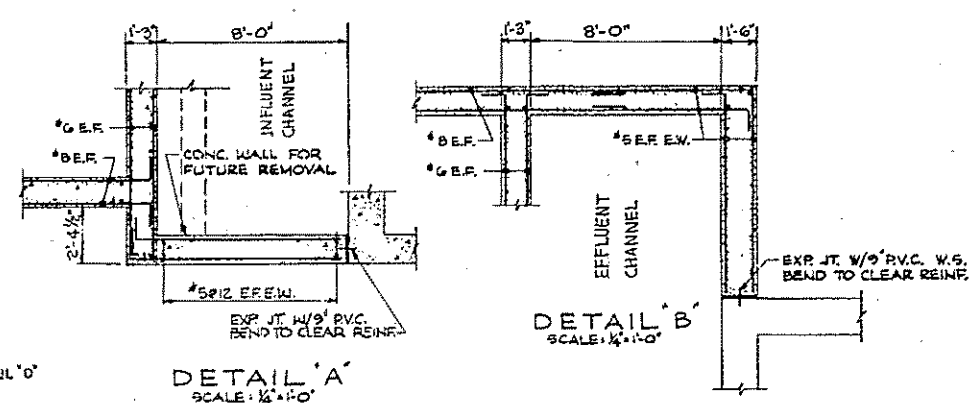
PLAN,
SCALE: 1/4"=1'-0"



TYPICAL WALL ELEVATIONS
NOT TO SCALE

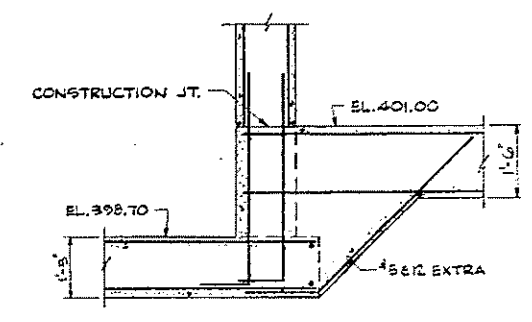


EAST WALL INTERIOR



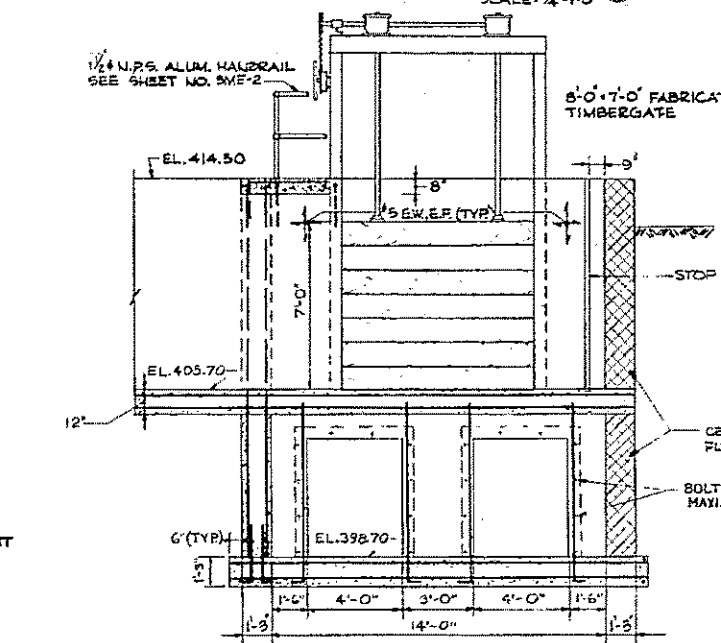
SECTION 3
SCALE: 1/4"=1'-0"

NOTE:
ALL REINFORCING IS #5C2
TYPICAL, EXCEPT AS NOTED.

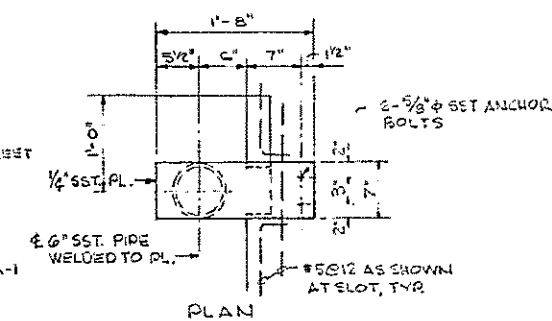


DETAIL 'C'
SCALE: 1/2"=1'-0"

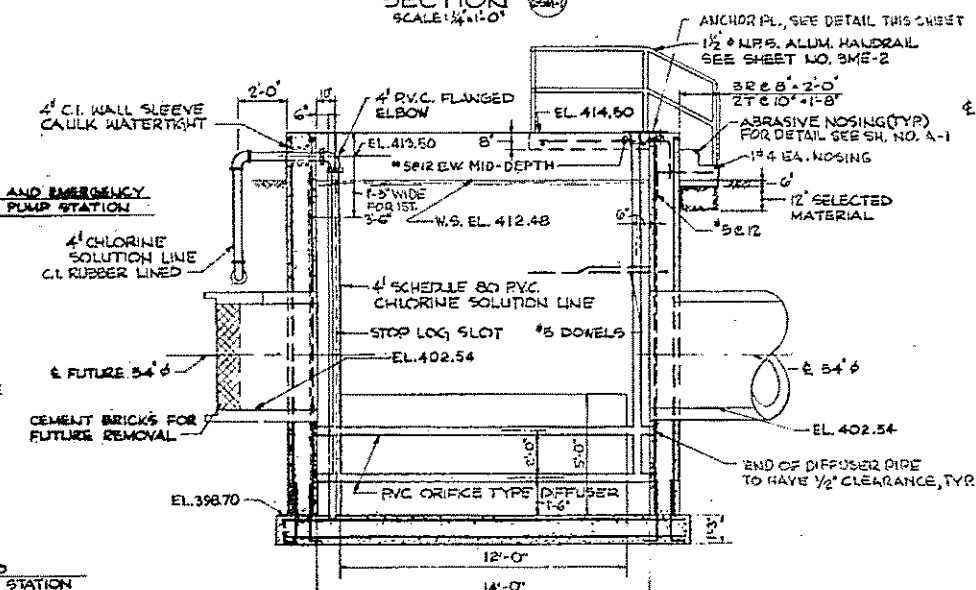
- NOTES
1. FOR GENERAL AND CONCRETE NOTES, SEE SHEET NO. 105-1.
 2. FOR TYPICAL JOINT DETAILS, SEE SHEET NO. 35-2.
 3. STRUCTURE DESIGNED AND CHECKED AGAINST FLOTATION AT DESIGN GROUND WATER ELEVATION 405.0 WITH TANKS EMPTY AND BACKFILL IN PLACE UP TO ELEVATION 412.0.
 4. STRUCTURE ALSO CHECKED AGAINST FLOTATION AT FLOOD WATER ELEVATION 414.0 WITH BACKFILL IN PLACE UP TO ELEVATION 412.0 AND WATER IN BOTH TANKS AND CHANNELS UP TO ELEVATION 411.3.



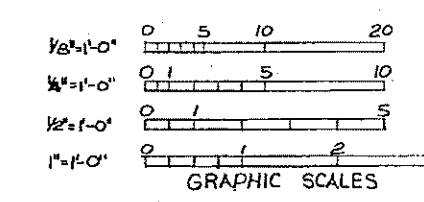
SECTION 4
SCALE: 1/4"=1'-0"



ANCHOR PLATE DETAIL
SCALE: 1"=1'-0"



SECTION 5
SCALE: 1/4"=1'-0"



REV. NO.	DATE	DESCRIPTION	MADE BY	CHEK BY	APPD. BY



HALF-SIZE DRAWING

COMMONWEALTH OF MASSACHUSETTS
UPPER BLACKSTONE
WATER POLLUTION ABATEMENT DISTRICT
REGIONAL WASTEWATER TREATMENT FACILITIES
CONTRACT NO. 2
CHLORINE CONTACT TANK, F.N.-6
STRUCTURAL AND MECHANICAL PROCESS

PLAN, SECTIONS AND DETAILS

SCALE: AS NOTED FEBRUARY 1973

FAY, SPOFFORD & THORNDIKE, INC., ENGINEERS, BOSTON, MASS.

DR. S.M.G. IR. S.P.P. FILE NO. JW-83

APPROVED: *F.M. Cabaly* PLAN NO. 70

CONTRACT DRAWING SHEET NO. 65M-1