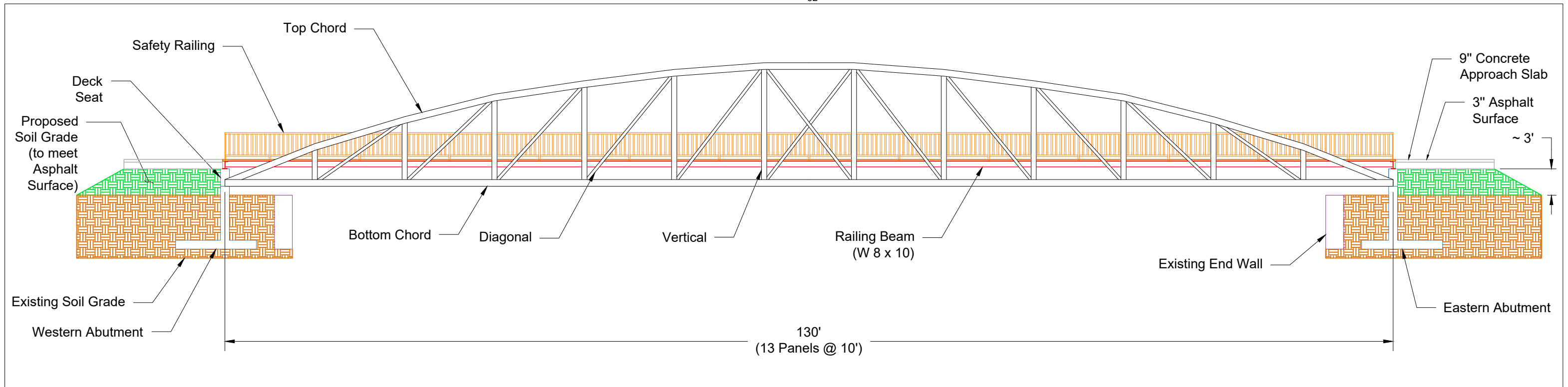
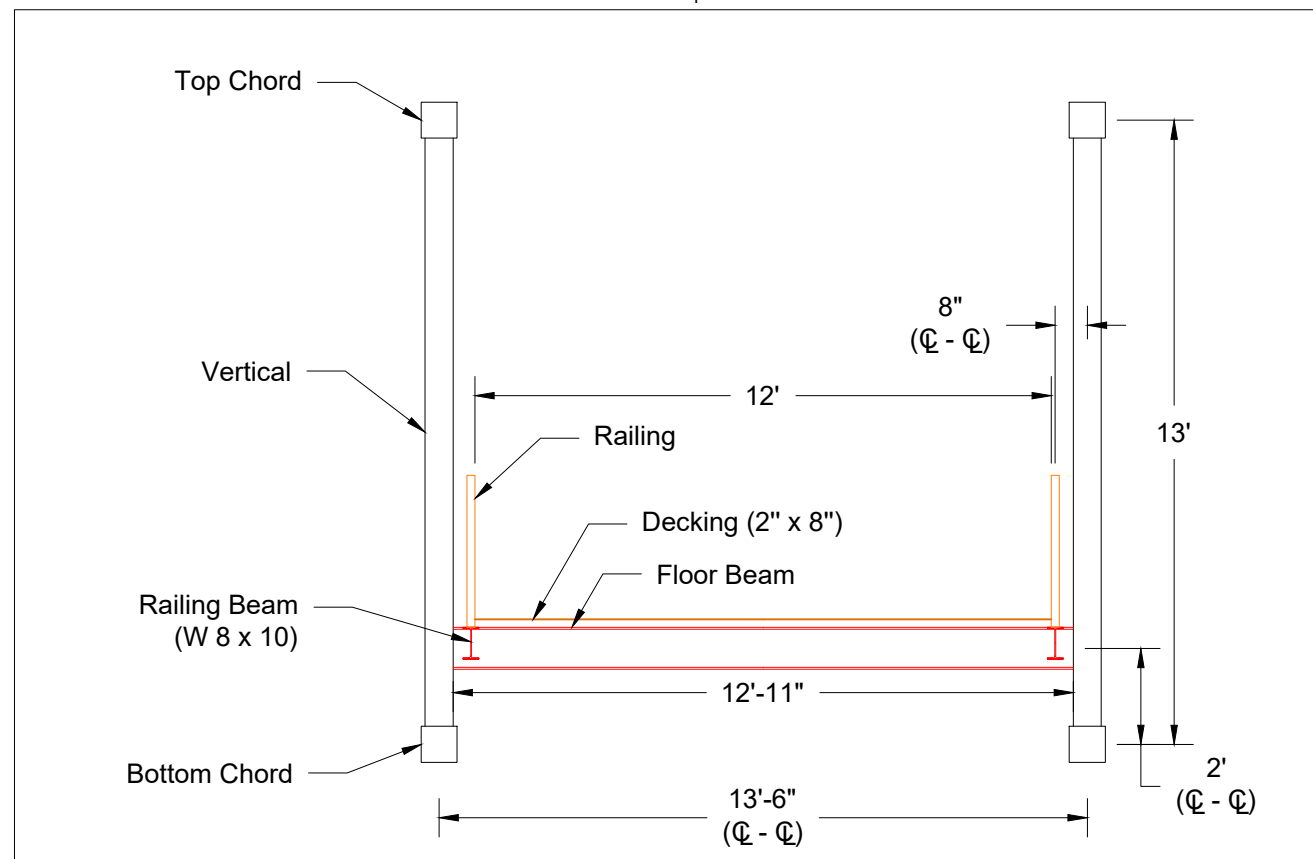


ELEVATION VIEW
(of Bridge and Abutments)
Scale: $\frac{3}{32}'' = 1'-0''$



BRIDGE SECTION
(Located in Center Panel)
Scale: $\frac{1}{4}'' = 1'-0''$



SCHEDULE OF MEMBERS

SCHEDULE OF MEMBERS	
TOP CHORD	HSS 9 x 9 x 3/8
BOTTOM CHORD	HSS 9 x 9 x 3/8
VERTICAL	HSS 7 x 7 x 3/16
DIAGONAL	HSS 4 x 4 x 1/8
FLOOR BEAM	W 10 x 30
FLOOR DIAGONAL	W 6 x 12

NOTE:

HSS MEMBERS SHALL BE MADE OF A500 GRADE C, WITH YIELD STRESS OF 50 KSI AND TENSILE STRESS OF 62 KSI.

CONCRETE SHALL BE TESTED TO HAVE COMPRESSIVE STRENGTH OF 3000 PSI.

CONNECTIONS SHALL BE DESIGNED IN ACCORDANCE TO AISC STEEL CONSTRUCTION MANUAL, 15TH EDITION - SPECIFICATION CHAPTER K.

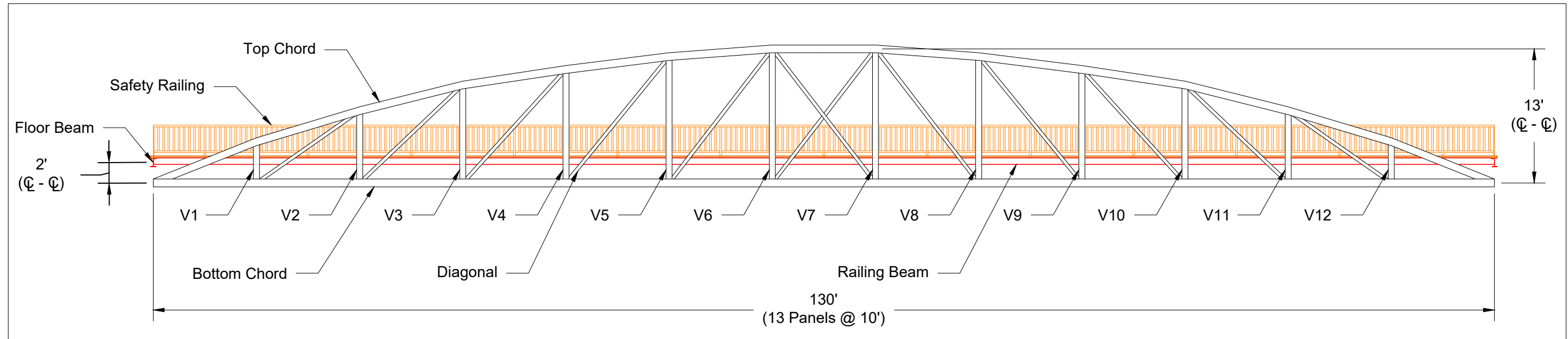
*Structural Improvement Design for
Northern Strand Community Trail Bridge
over Saugus River*

Team Members:
Sean Burke
Marlies de Jong
Ben Leveillee

Date: March 1, 2019

SHEET 1 OF 3

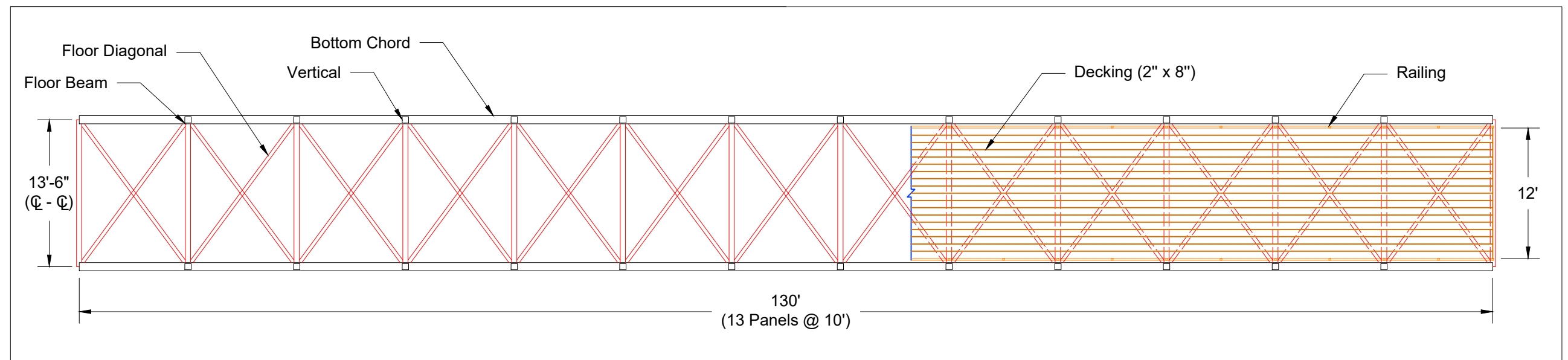
ELEVATION VIEW
(of Steel Superstructure)
Scale: $\frac{3}{32}'' = 1'-0''$



VERTICAL DISTANCE $\text{C} - \text{C}$ BET.
TOP & BOTTOM CHORDS

Vertical 1 (V1)	4'
Vertical 2 (V2)	7'
Vertical 3 (V3)	9.5'
V4	11'
V5	12.25'
V6	13'
V7	13'
V8	12.25'
V9	11'
V10	9.5'
V11	7'
V12	4'

PLAN VIEW
(at Deck Level)
Scale: $\frac{3}{32}'' = 1'-0''$



NOTE:

HSS MEMBERS SHALL BE MADE OF A500 GRADE C, WITH YIELD STRESS OF 50 KSI AND TENSILE STRESS OF 62 KSI.

CONCRETE SHALL BE TESTED TO HAVE COMPRESSIVE STRENGTH OF 3000 PSI.

CONNECTIONS SHALL BE DESIGNED IN ACCORDANCE TO AISC STEEL CONSTRUCTION MANUAL, 15TH EDITION - SPECIFICATION CHAPTER K.

*Structural Improvement Design for
Northern Strand Community Trail Bridge
over Saugus River*

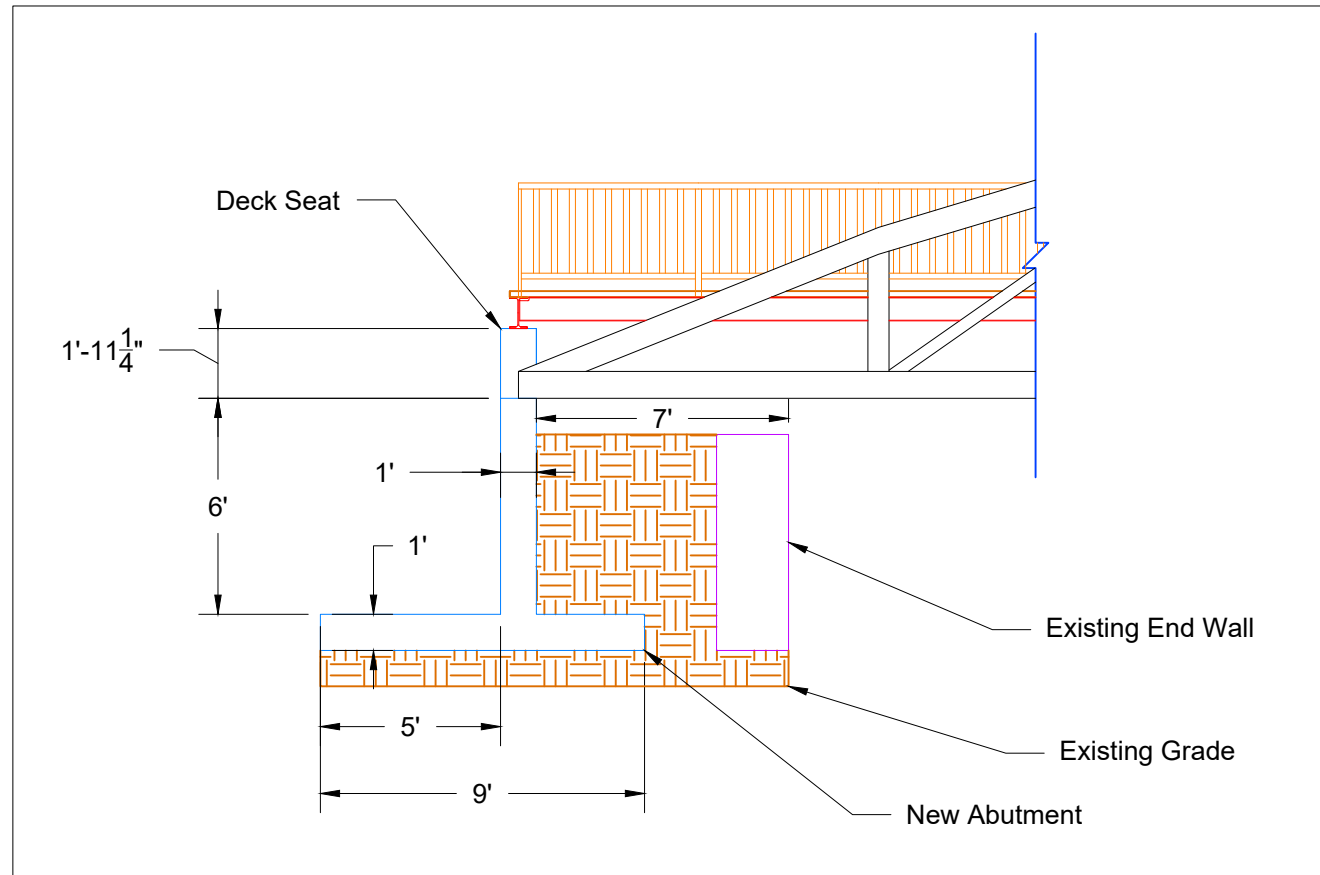
Team Members:
Sean Burke
Marlies de Jong
Ben Leveillee

Date: March 1, 2019

SHEET 2 OF 3

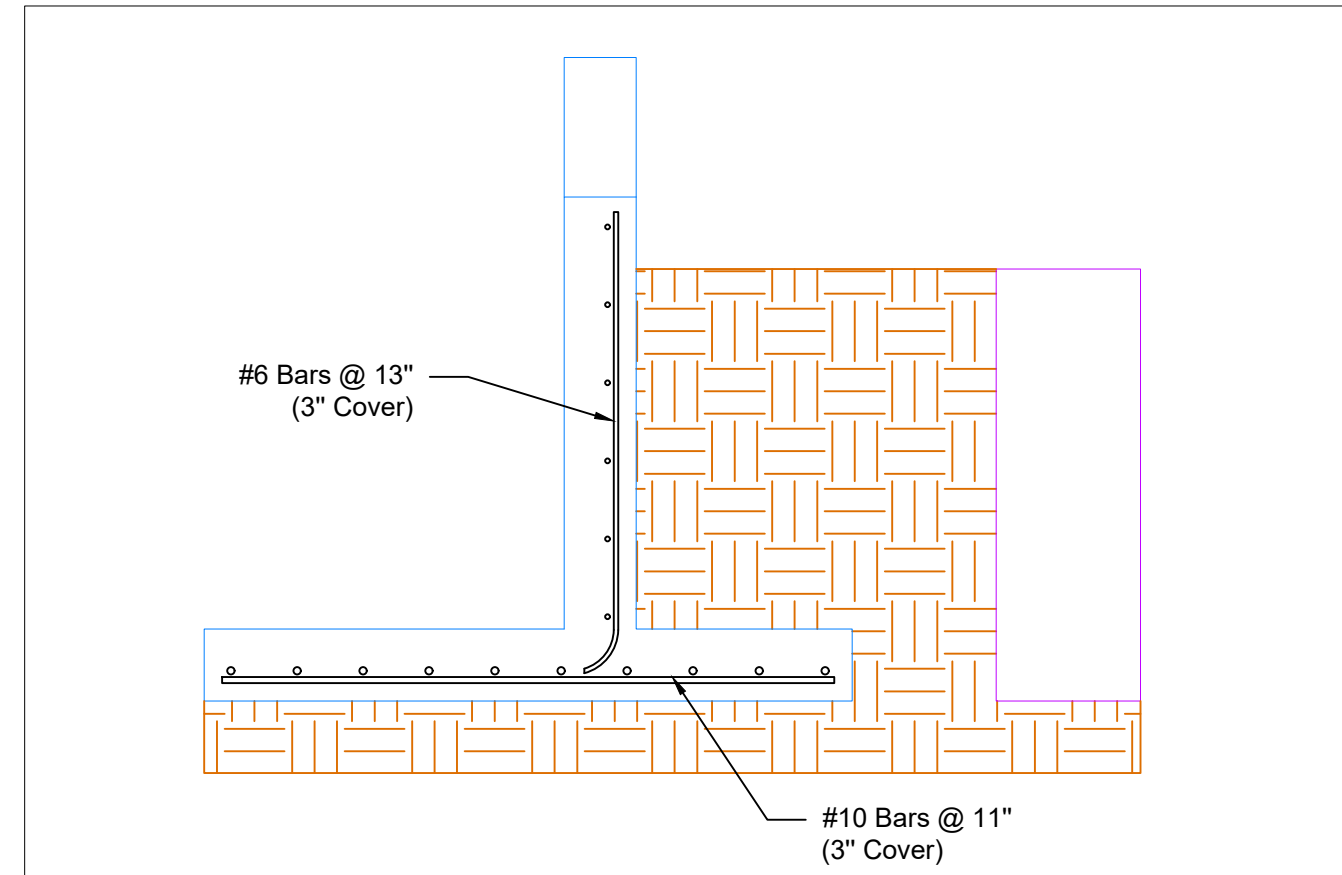
ABUTMENT DETAIL

Scale: $\frac{3}{16}'' = 1'0''$



ABUTMENT REINFORCEMENT DETAIL

Scale: $\frac{3}{8}'' = 1'0''$



NOTE:

HSS MEMBERS SHALL BE MADE OF A500 GRADE C, WITH YIELD STRESS OF 50 KSI AND TENSILE STRESS OF 62 KSI.

CONCRETE SHALL BE TESTED TO HAVE COMPRESSIVE STRENGTH OF 3000 PSI.

CONNECTIONS SHALL BE DESIGNED IN ACCORDANCE TO AISC STEEL CONSTRUCTION MANUAL, 15TH EDITION - SPECIFICATION CHAPTER K.

Structural Improvement Design for Northern Strand Community Trail Bridge over Saugus River

Team Members:
Sean Burke
Marlies de Jong
Ben Leveillee

Date: March 1, 2019

SHEET 3 OF 3