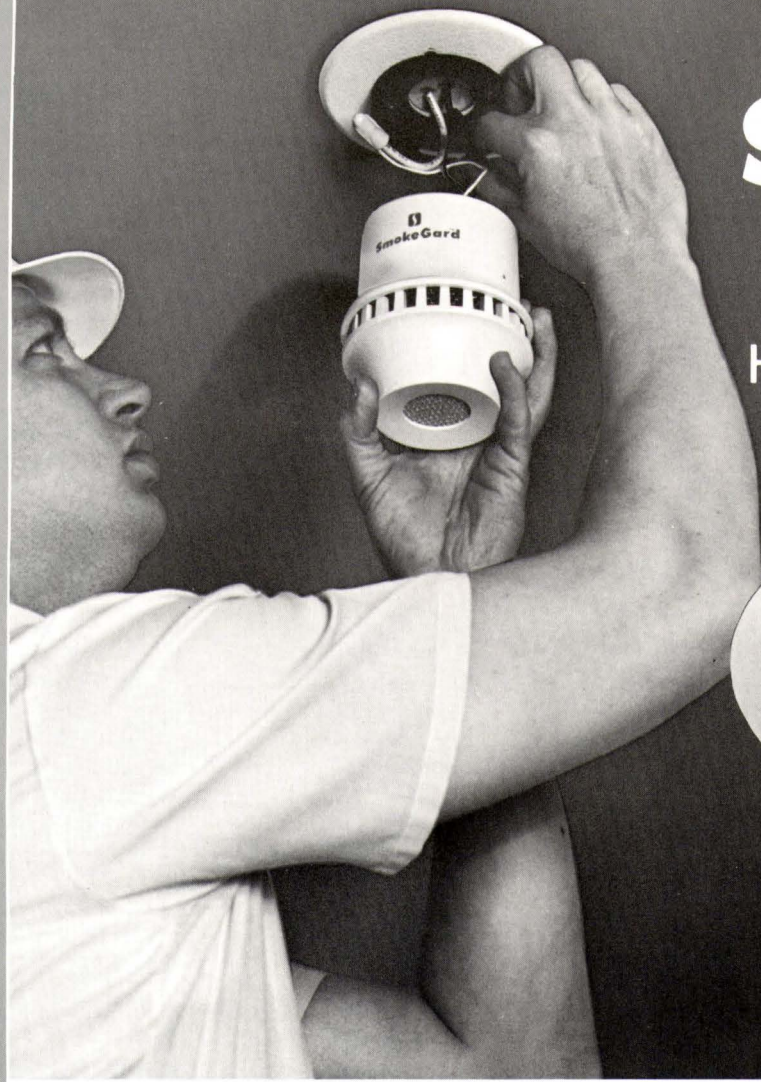


1970 +/-



SmokeGard[®] 771 EARLY WARNING HOME SMOKE DETECTOR



GENERAL DESCRIPTION

The SmokeGard Model 771 early warning home smoke detector is another use-proven fire safety product from Statitrol Corporation. It is ideally suited for the early detection of fires in the incipient stage — before smoke or flame may be visible. With its life saving capability, Model 771 allows extra moments for escape by homeowners in the event of fire danger.

Operating on the Ionization principle, Model 771 is extremely sensitive to the invisible particulate matter produced in any fire and it's not affected by atmospheric pressure or humidity changes.

Handsome and rugged, Model 771 is designed for ceiling mounting to a standard electrical outlet box and contains an 85 decibel alarm and visual power supply indicator.

Model 771 meets *all* the latest building code requirements on local, state and Federal levels.

FEATURES OF MODEL 771:

- 120 volt A.C.
- Ceiling Mounted
- Easy installation—2 pre-stripped power leads
- Improved Ionization operation
- Handsome, rugged housing
- Solid state alarm circuitry and 85 decibel alarm
- Visual power supply indicator
- Adjustable sensitivity control
- Meets latest Building Code requirements
Local — State — Federal
- U.L.C. Listed

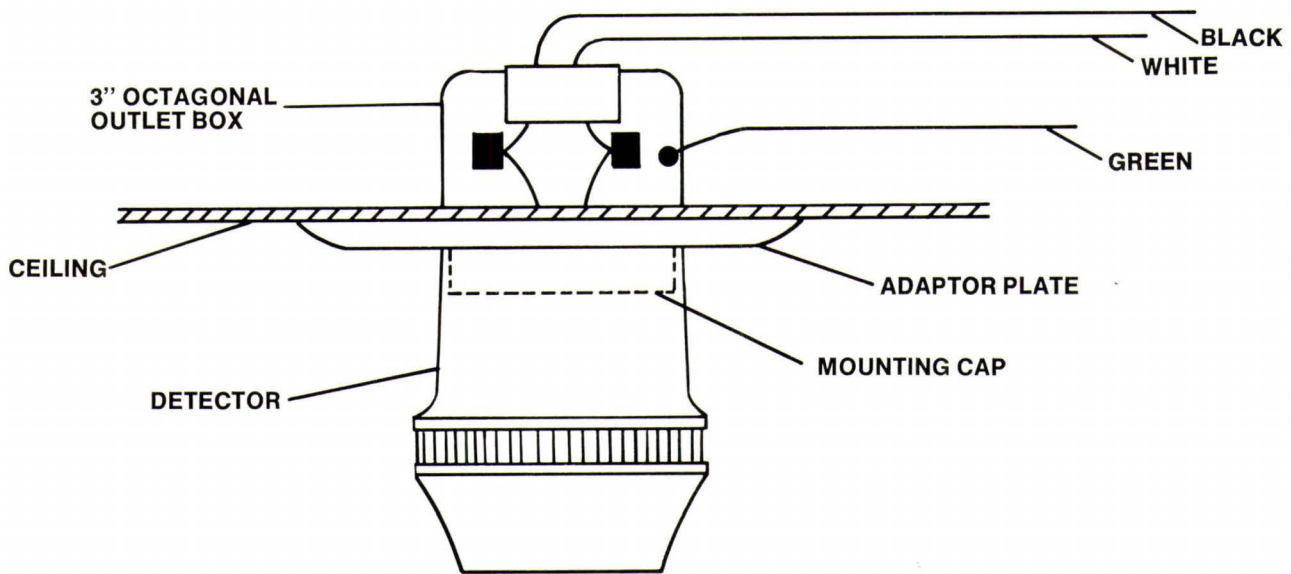
SmokeGard[®] 771

Early Warning Smoke Detection For the Home.

SPECIFICATIONS:

- Power Supply 120 Volt A.C. (+ 10% -15%)
- Detector Circuit Ionization Chamber
- Alarm Circuit Solid State
- Sensitivity Meets all U.L.C. requirements
- Wiring 2 wire
- Current Consumption Standby: 60 milliamperes nominal
- Temperature Range 40°F. to + 100°F.
- Humidity Range 0 to 95% R.H.
- Air Velocity 300 ft. per minute maximum
- Weight 2 lbs.
- Indicator Lamp Light emitting Diode

TYPICAL CEILING MOUNT INSTALLATION:



MAINTENANCE:

Periodically verify that the detector indicator light is on. If it is, your detector is operating properly.
Once a week verify that the detector sounds alarm by blowing smoke into it.
In extremely dusty locations, removal of dust from the smoke entry area is most important.

APPROVED BY:



SmokeGard[®]

Another Fire Defense Product by:

STATITROL CORPORATION
140 S. Union Blvd., Lakewood, Colo. 80228