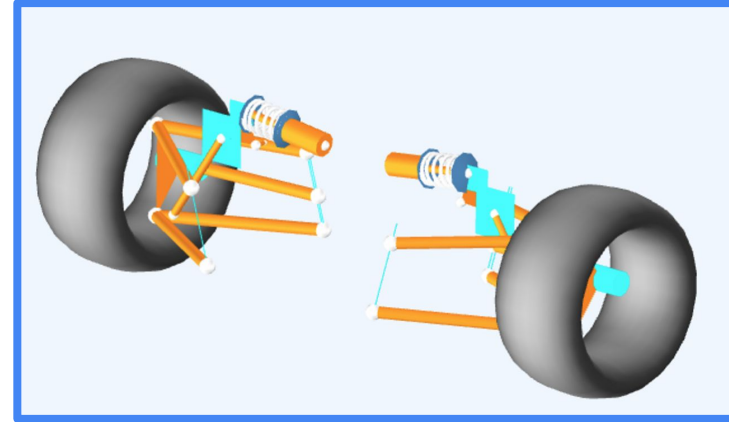
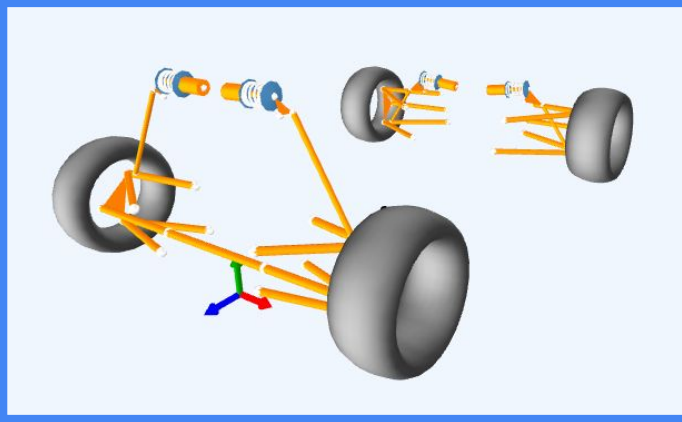


Suspension Design



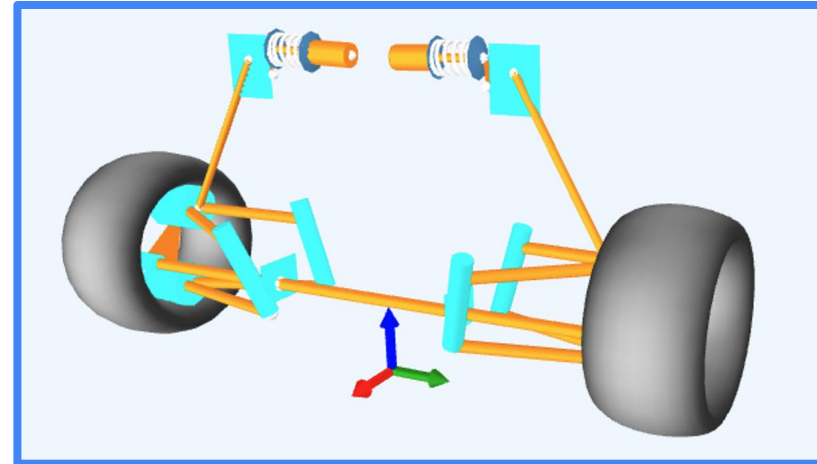
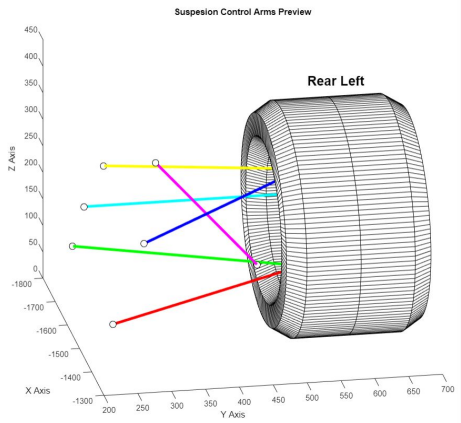
Rear Left Suspension Geometry

Lower Control Arm Forward Link		Lower Control Arm Rearward Link	
Outboard	Inboard	Outboard	Inboard
X	-1530	X	-1313
Y	533.3	Y	215.9
Z	115.9	Z	127

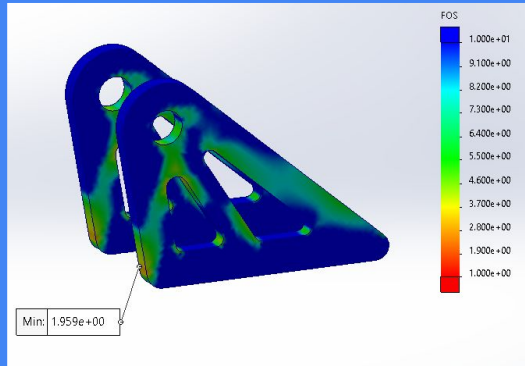
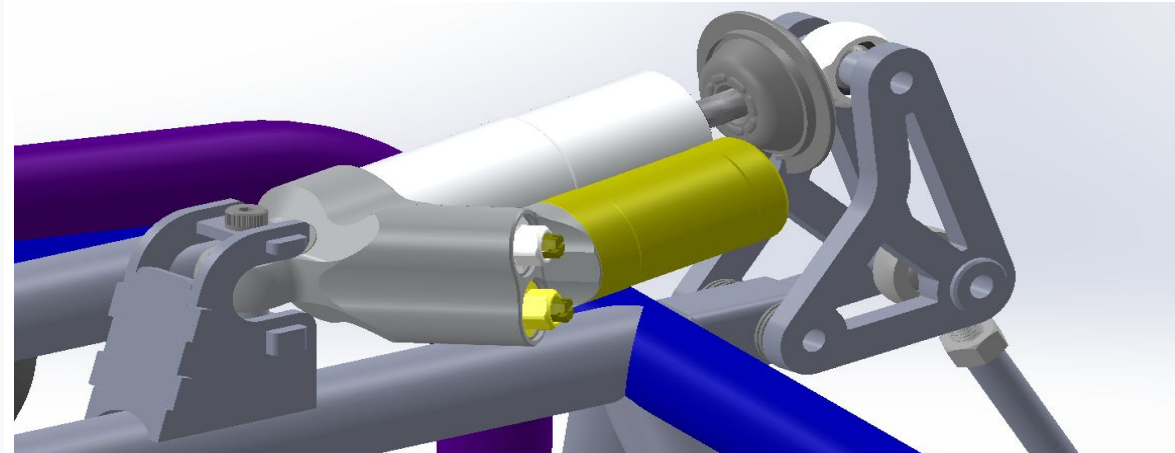
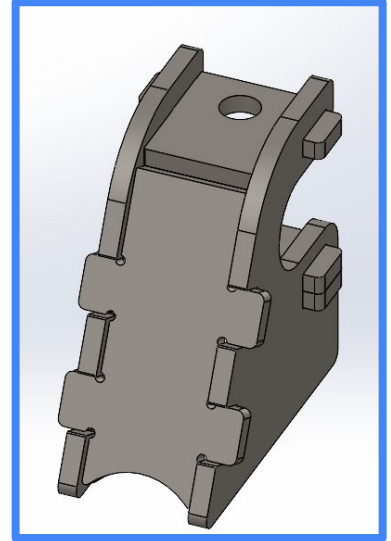
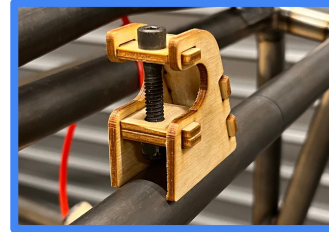
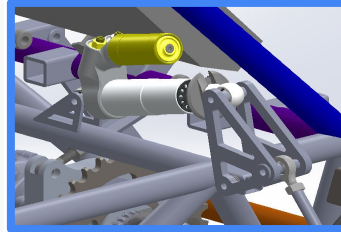
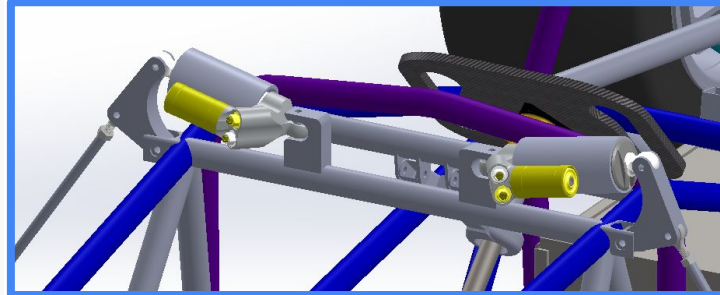
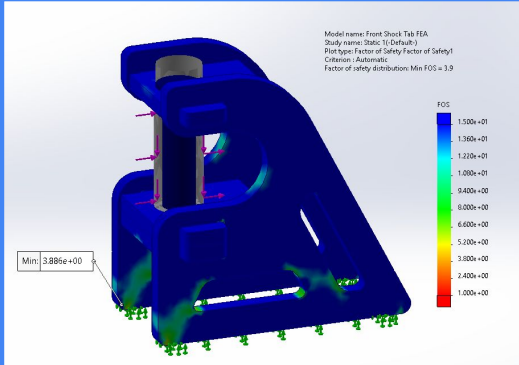
Upper Control Arm Forward Link		Upper Control Arm Rearward Link	
Outboard	Inboard	Outboard	Inboard
X	-1530	X	-1313
Y	533.3	Y	261.4
Z	296.5	Z	275.2

Shock/Pushrod/Pullrod		Tiered/Toe control Link	
Outboard	Inboard	Outboard	Inboard
X	-1505	X	-1644
Y	483.3	Y	232.7
Z	134.4	Z	200.9

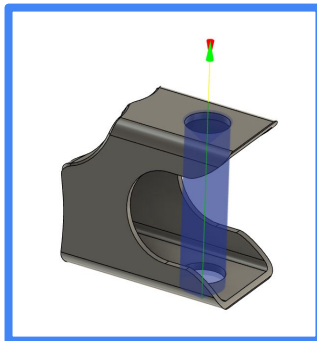
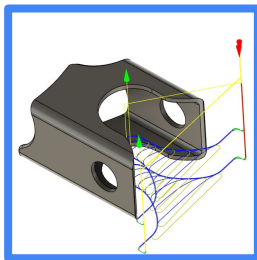
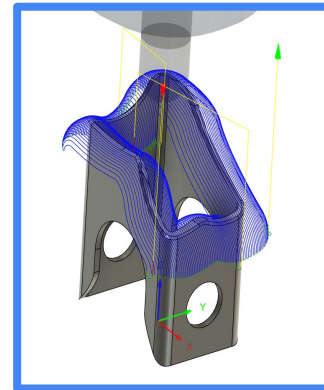
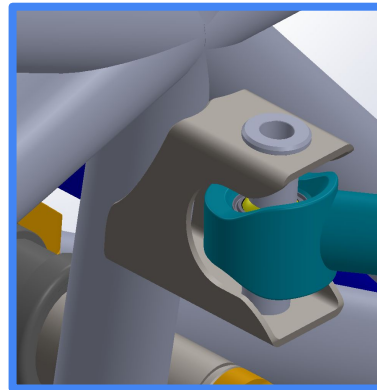
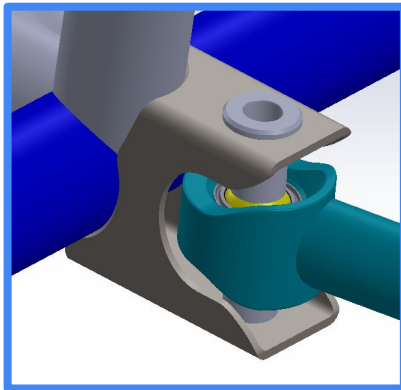
Tire & Rim		Wheelbase & Trackwidth	
Wheel center	Tire & Rim	Wheelbase	
X	-1530	Tire dia	411.5
Y	584.2	Rim dia	254
Z	205.7	Tire width	213.4
		Wheelbase	1530
		Front Track width	1224
		Rear Track Width	1168



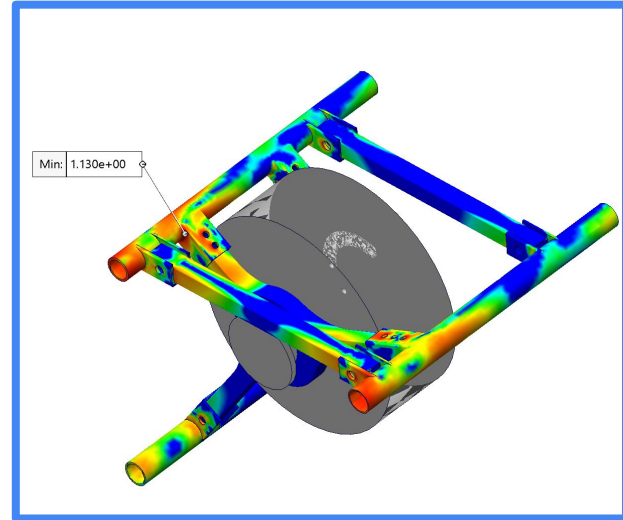
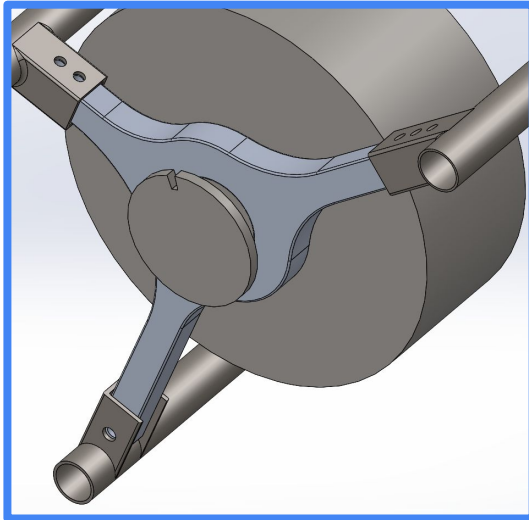
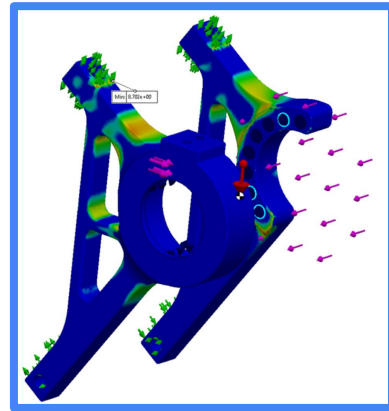
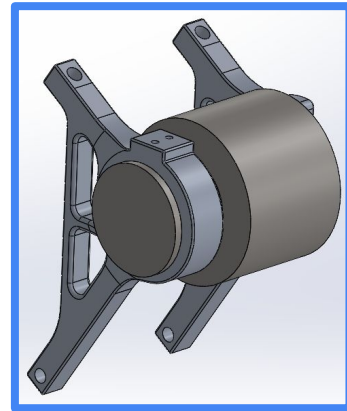
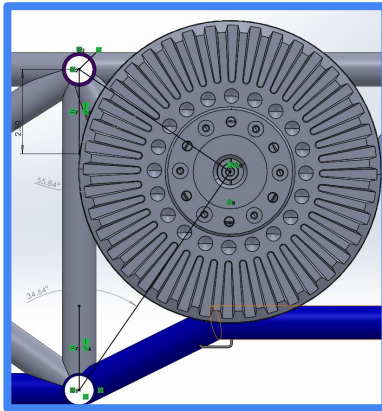
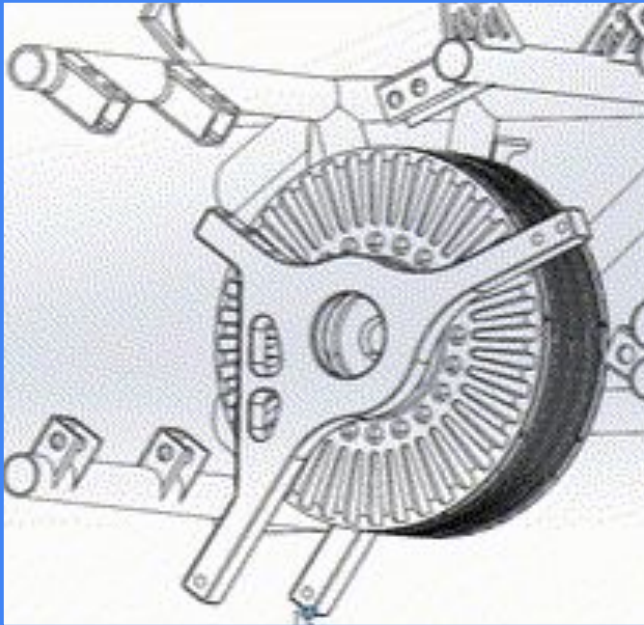
Suspension Design



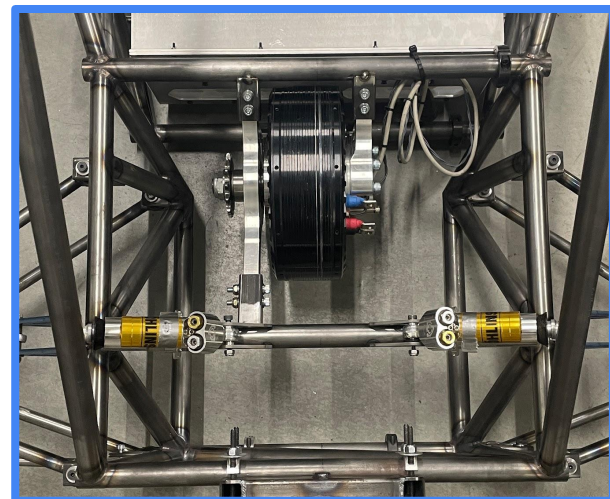
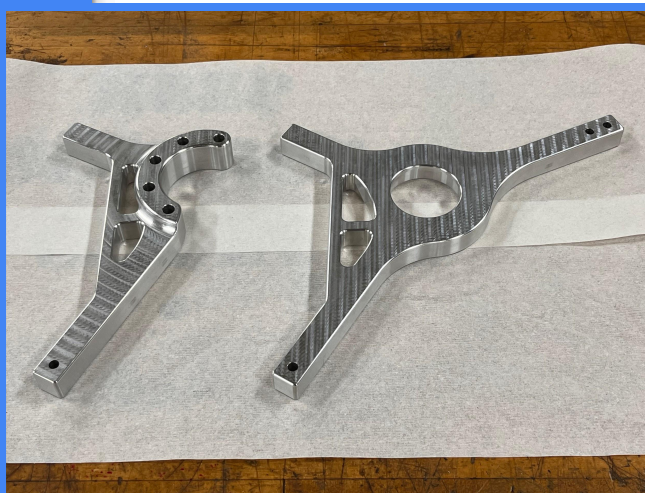
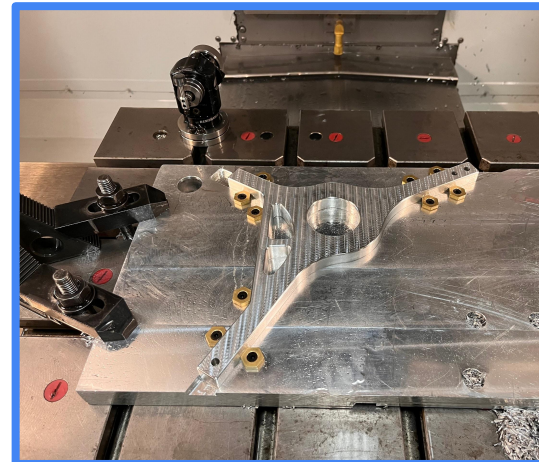
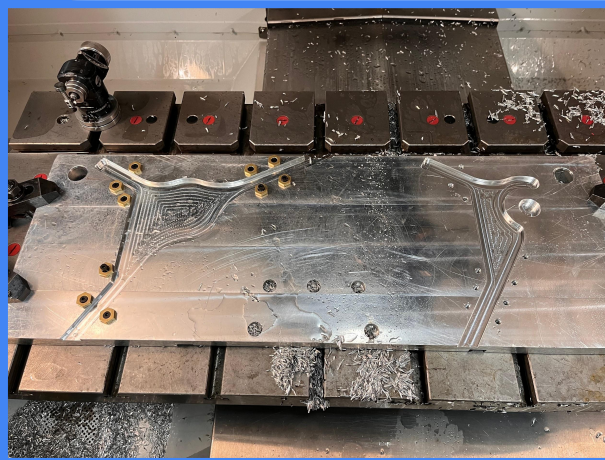
Suspension Manufacturing



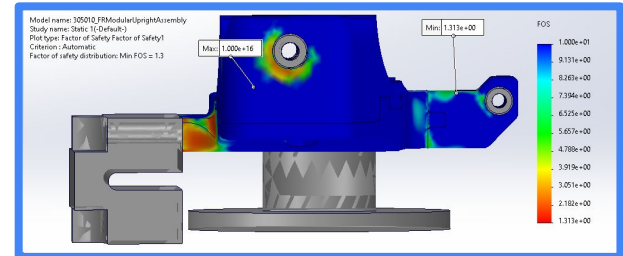
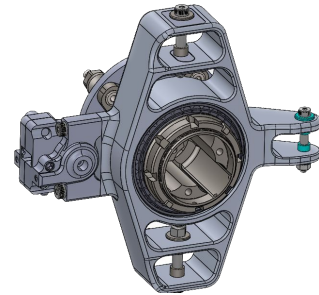
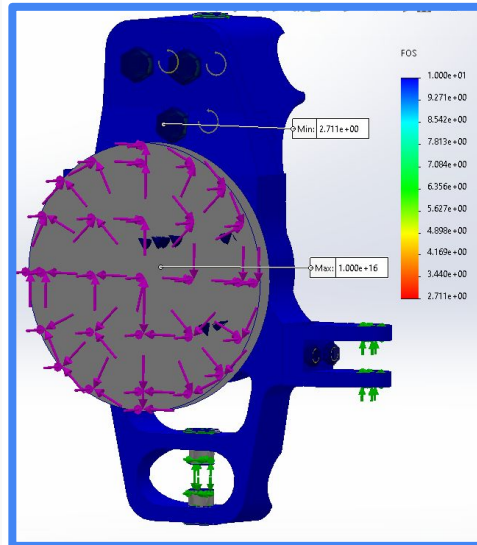
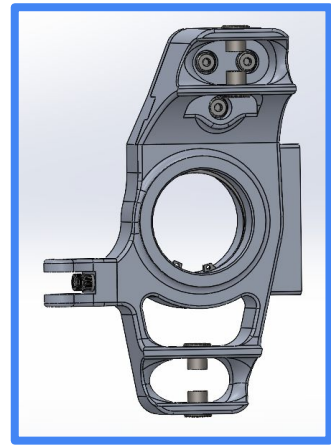
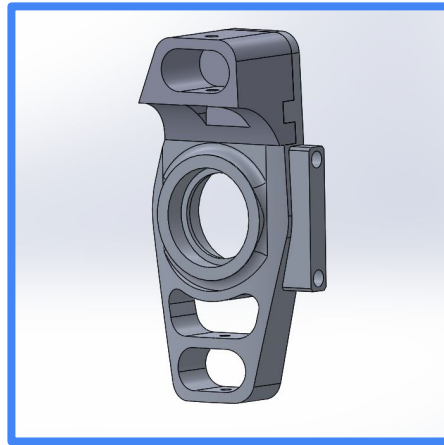
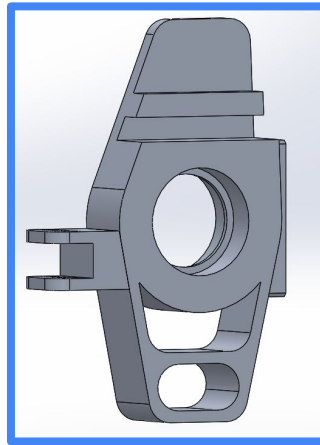
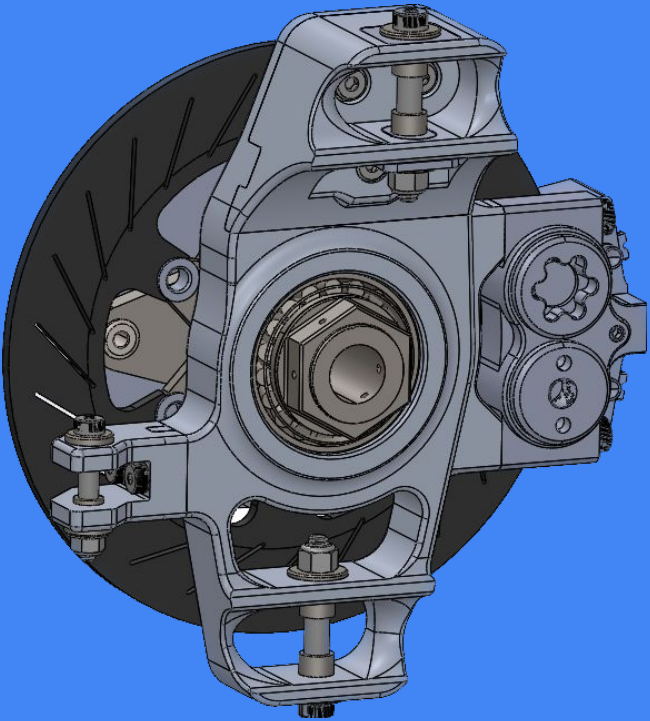
Motor Mount Development



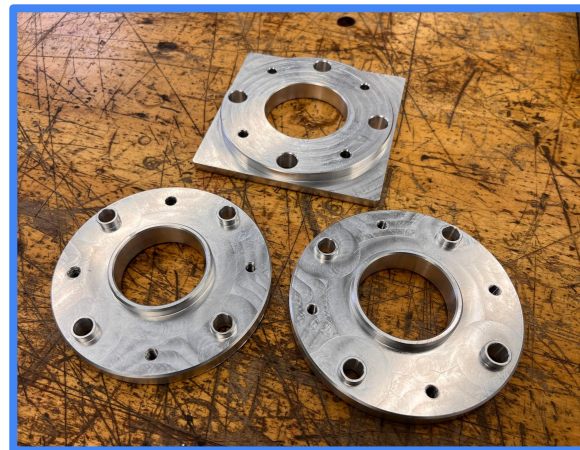
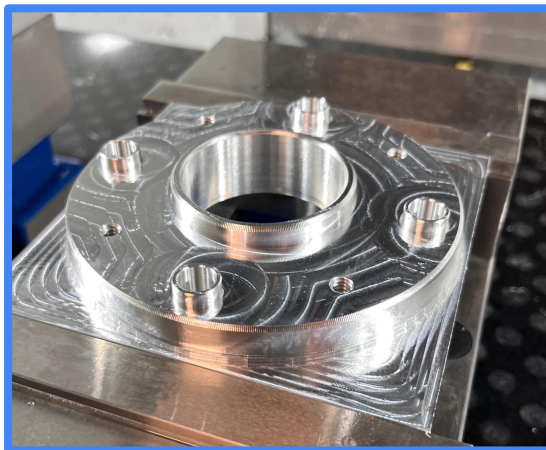
Motor Mount Manufacturing



Uprights

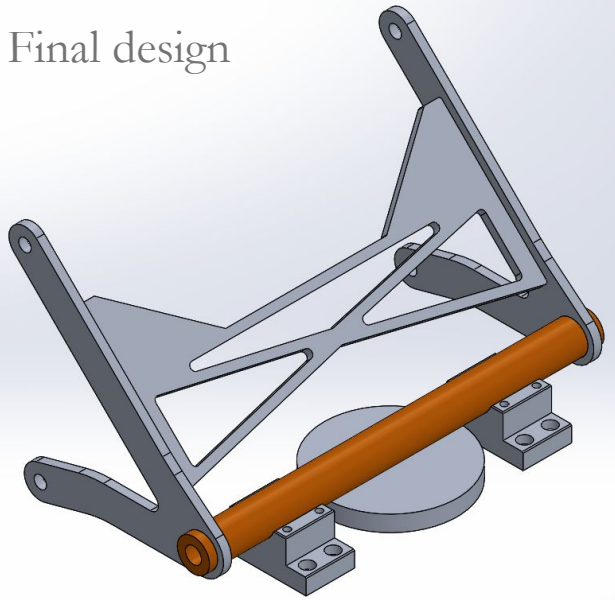


Upright Manufacturing

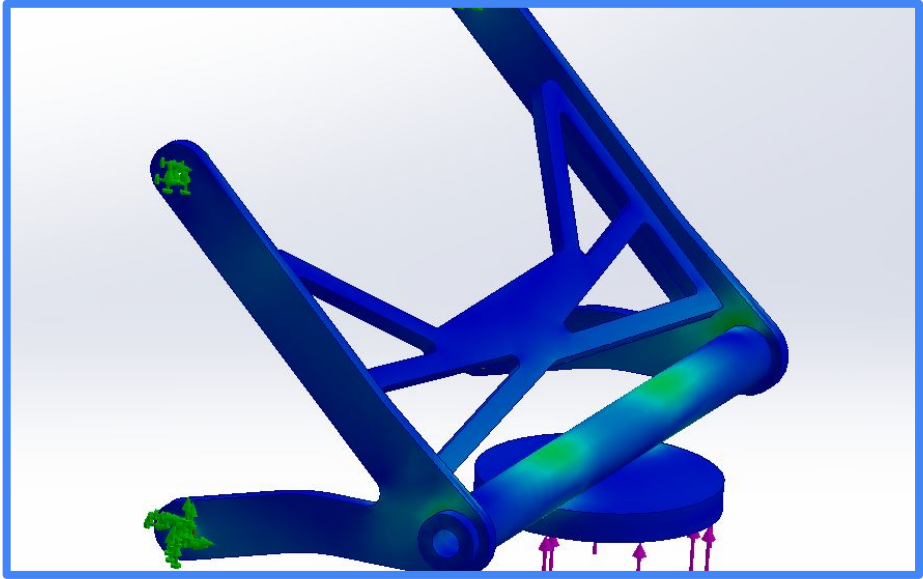
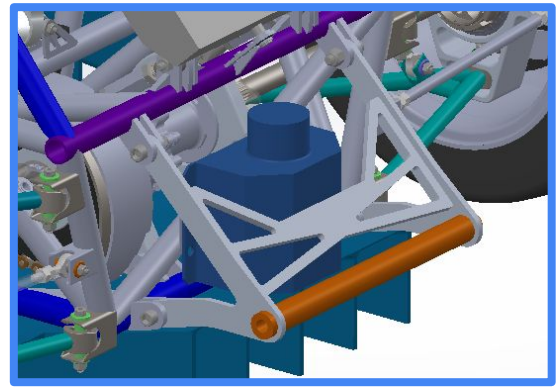
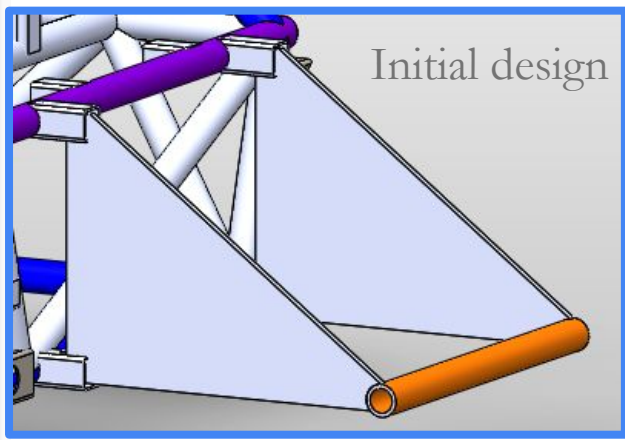


Jack Bar

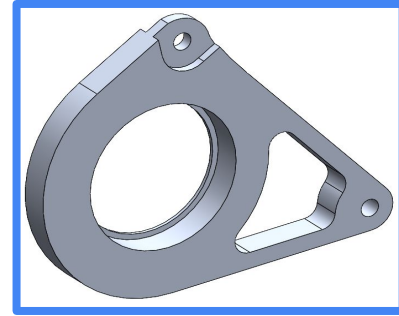
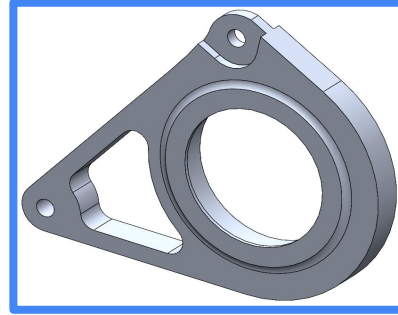
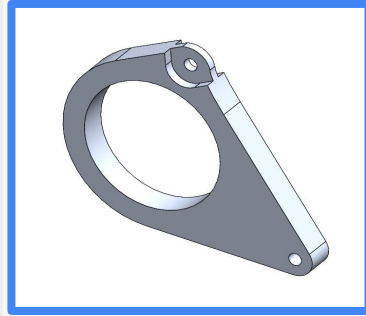
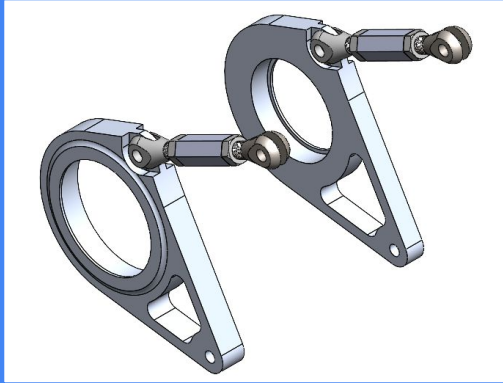
Final design



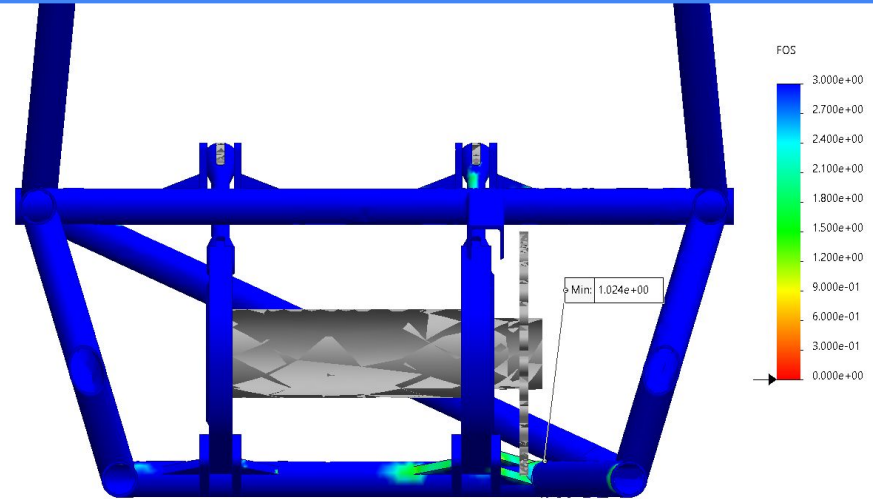
Initial design



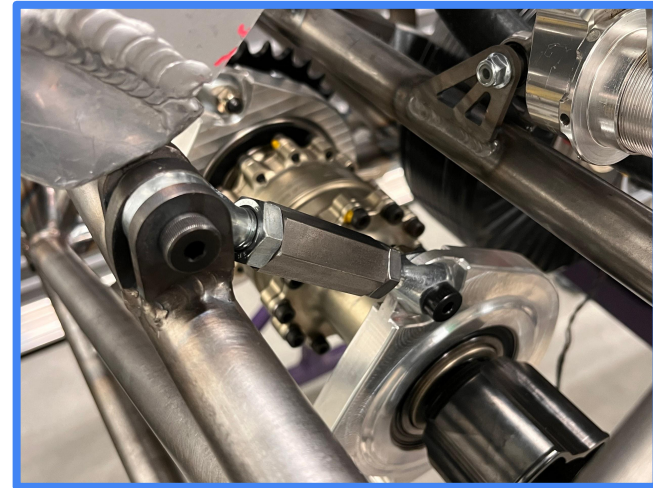
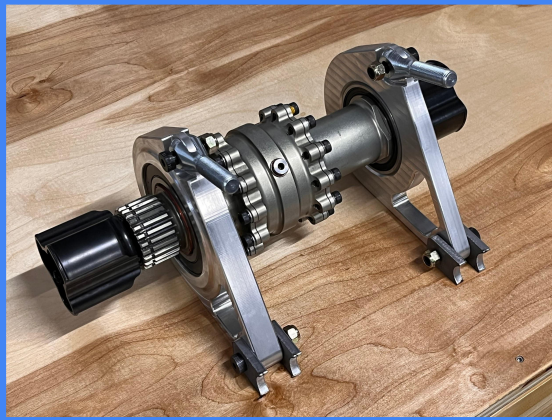
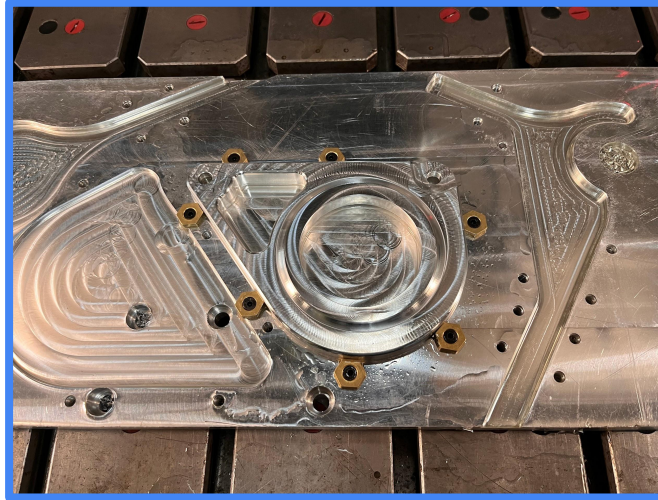
Differential Design



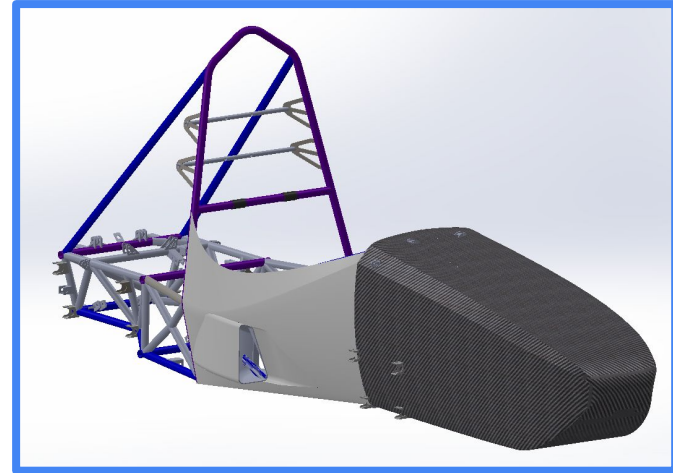
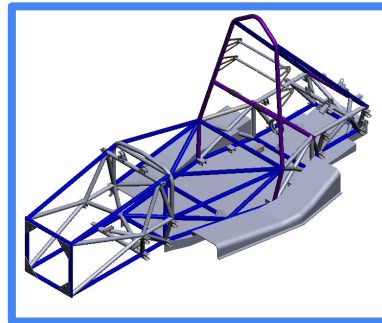
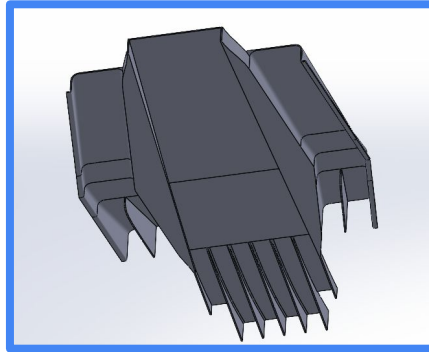
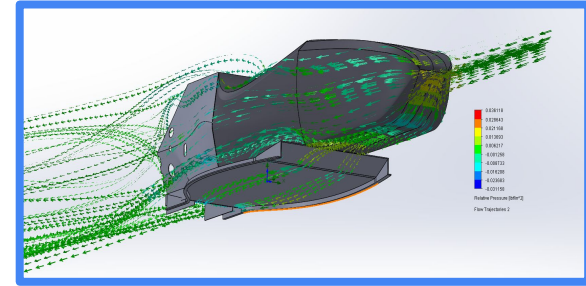
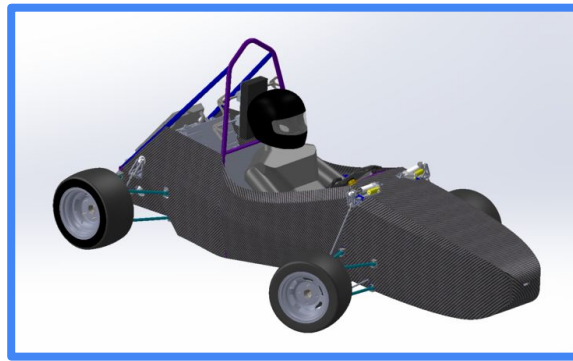
Model name: SimAssembly4
Study name: Static 1(-Default-)
Plot type: Factor of Safety Factor of Safety1
Criterion : Automatic
Factor of safety distribution: Min FOS = 1



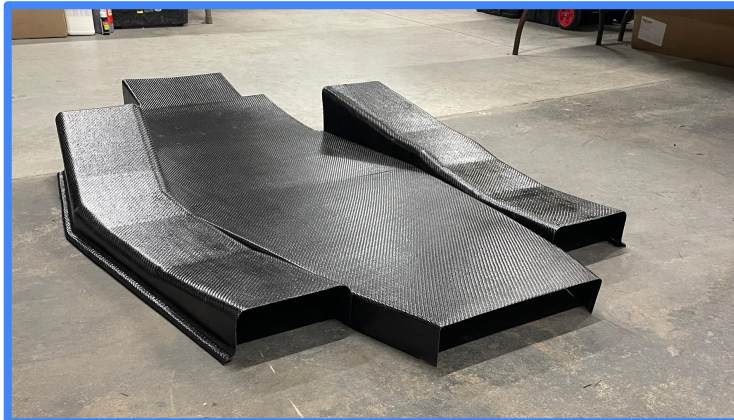
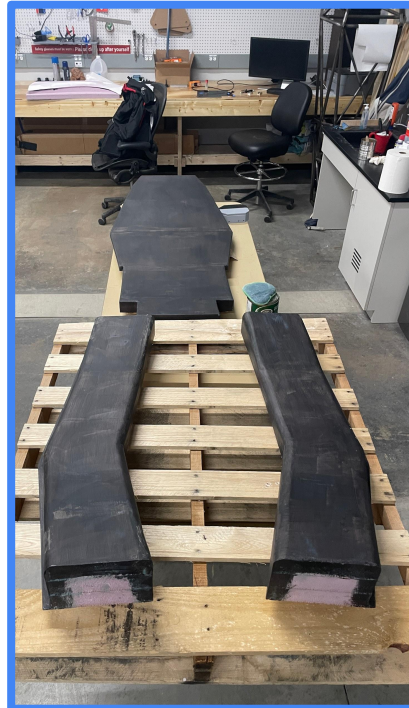
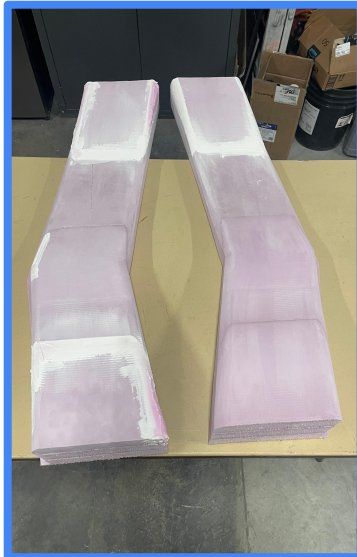
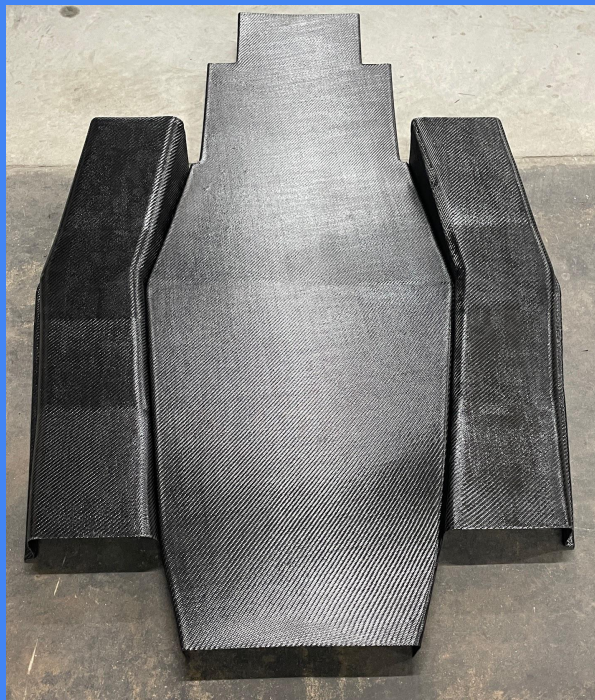
Differential Manufacturing



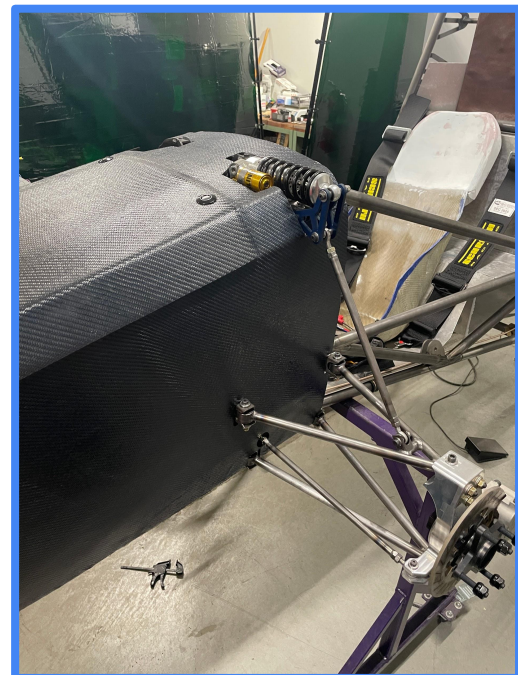
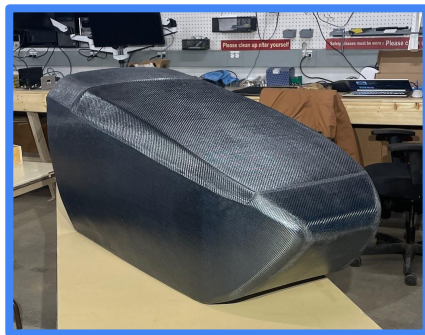
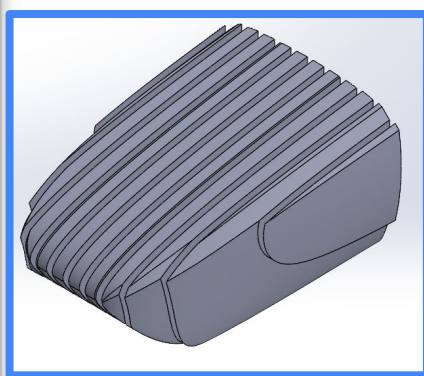
Bodywork: Design & Validation



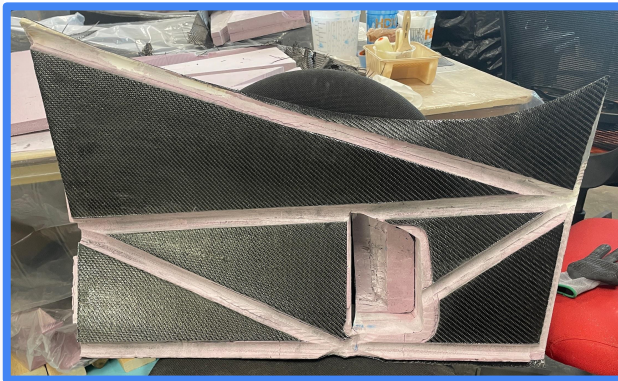
Bodywork: Floor



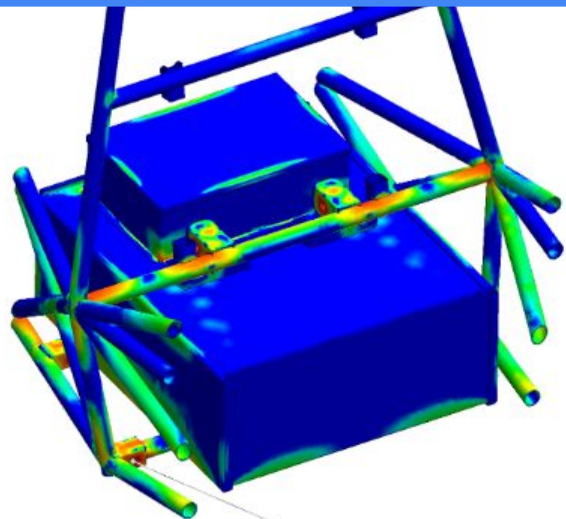
Bodywork: Nosecone



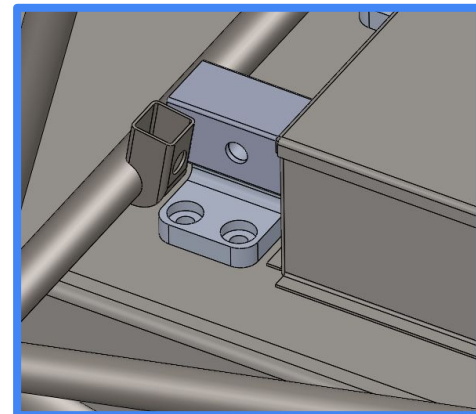
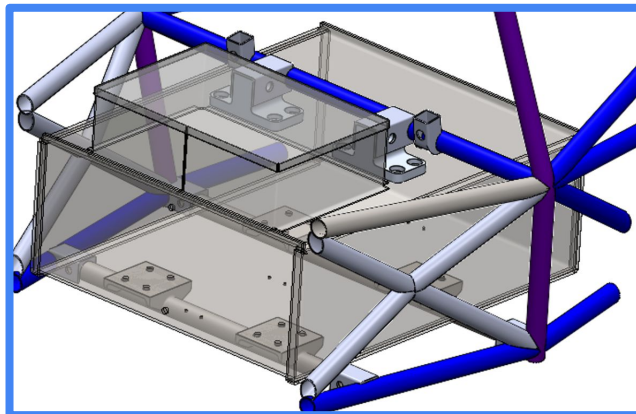
Bodywork: Side Panels



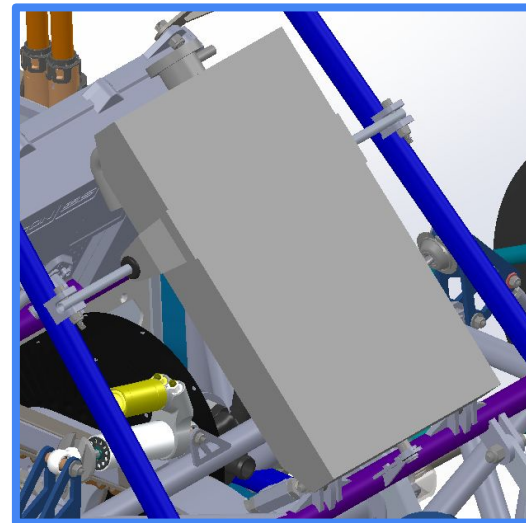
Accumulator Mounting



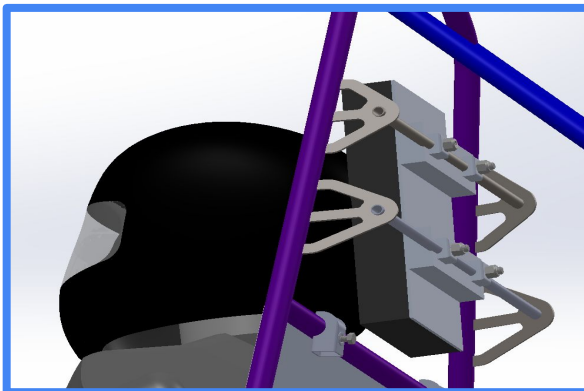
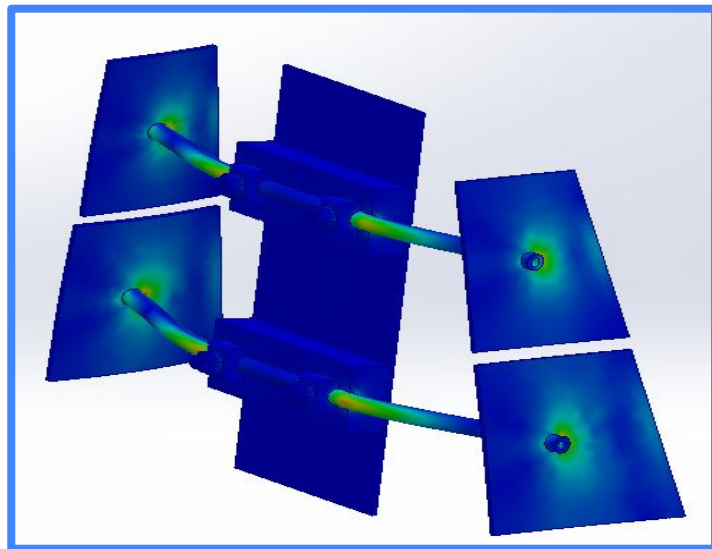
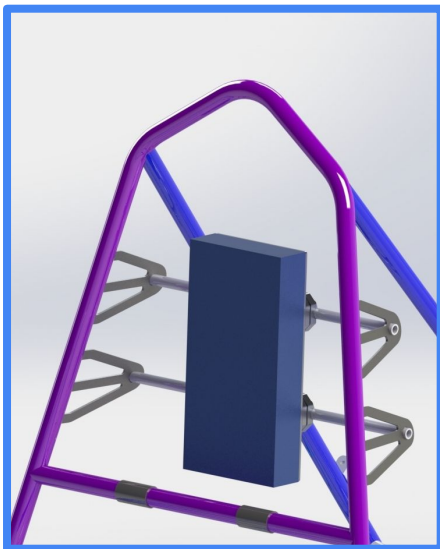
Min: 1.365e+00



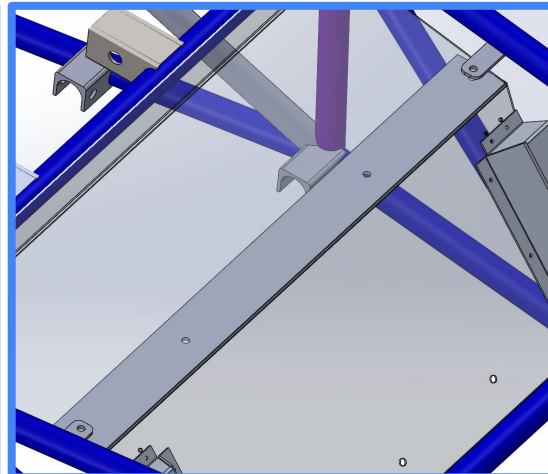
Radiator Mounting



Headrest



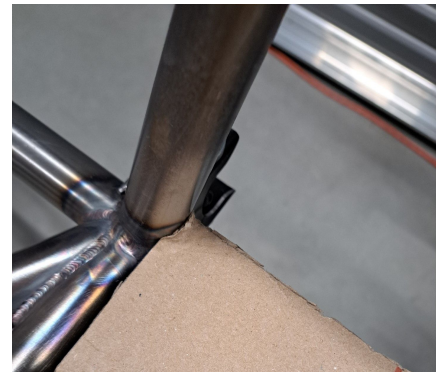
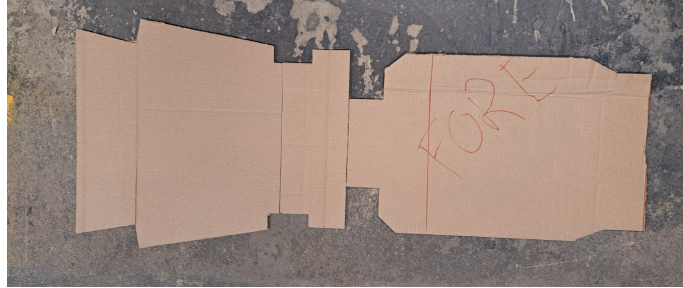
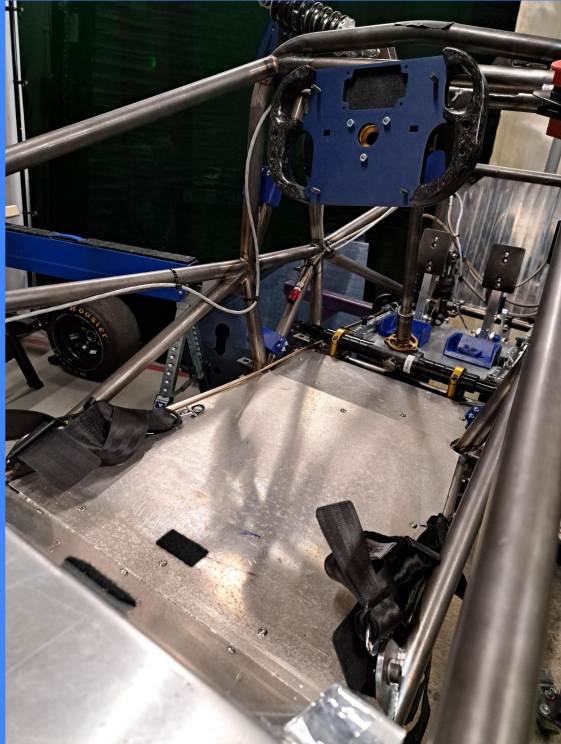
Driver Seating



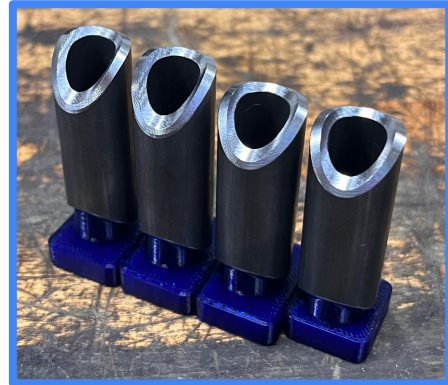
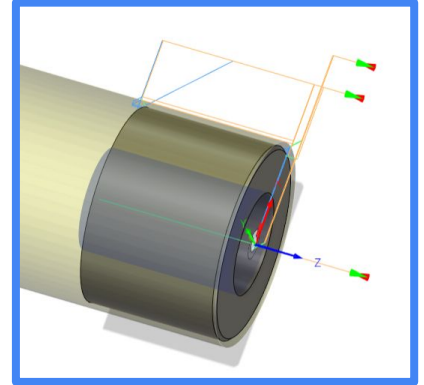
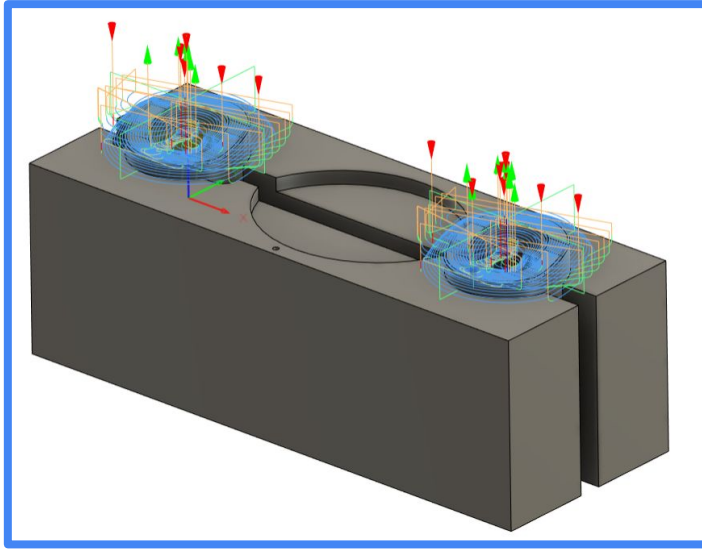
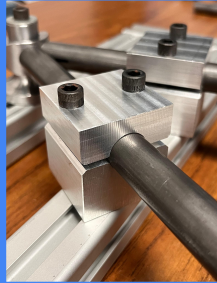
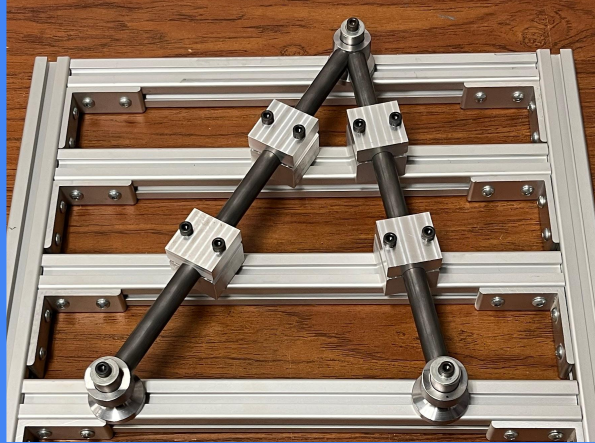
Firewall



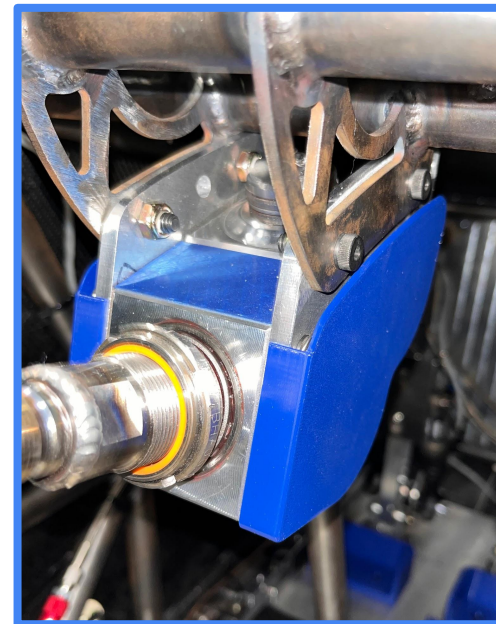
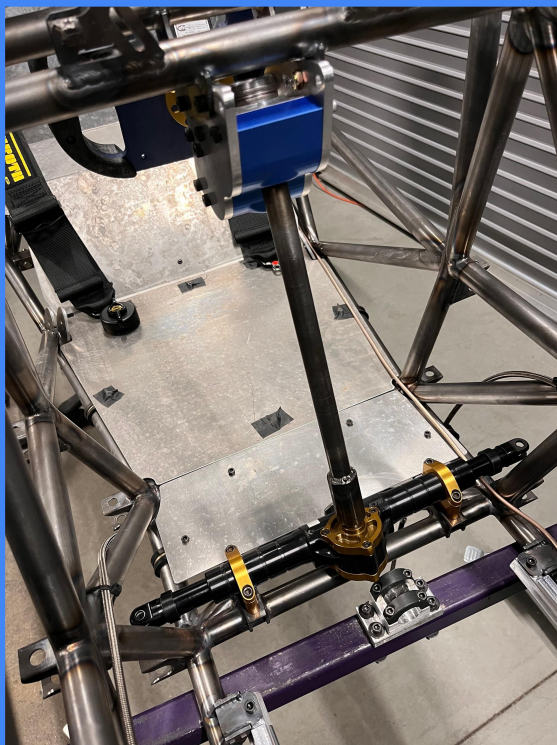
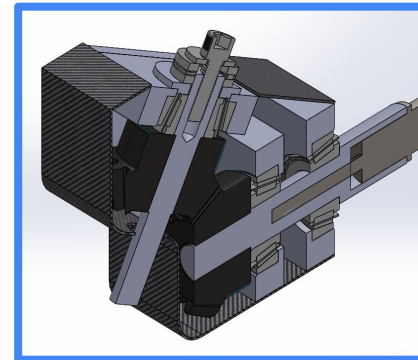
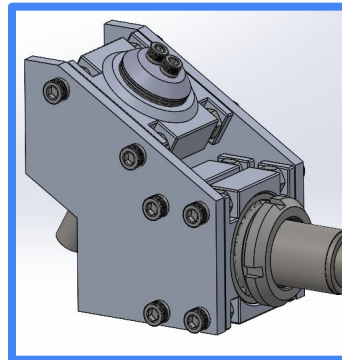
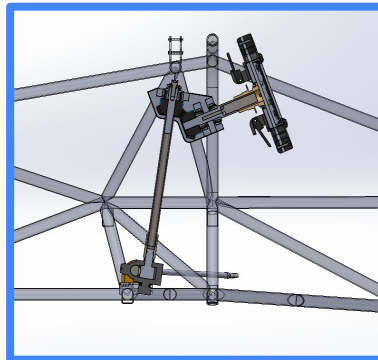
Structural Floor



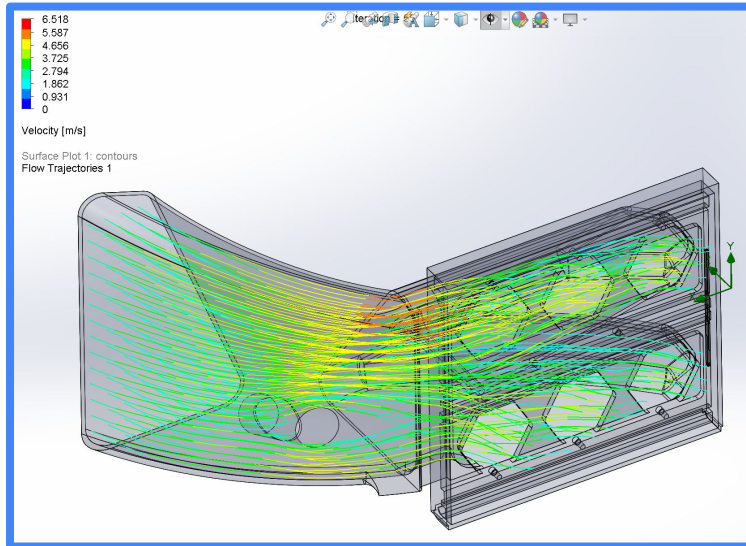
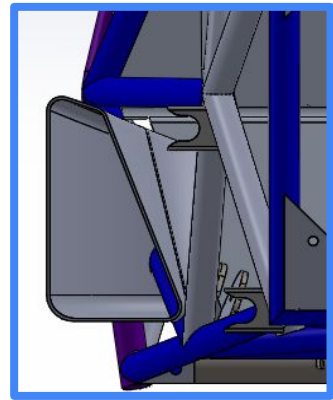
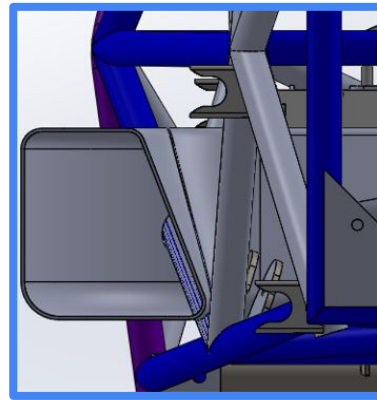
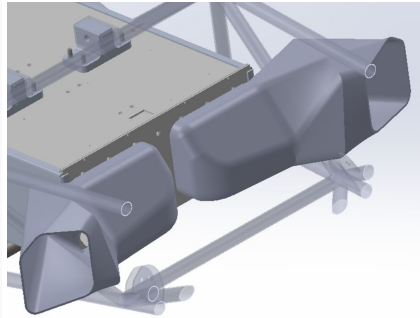
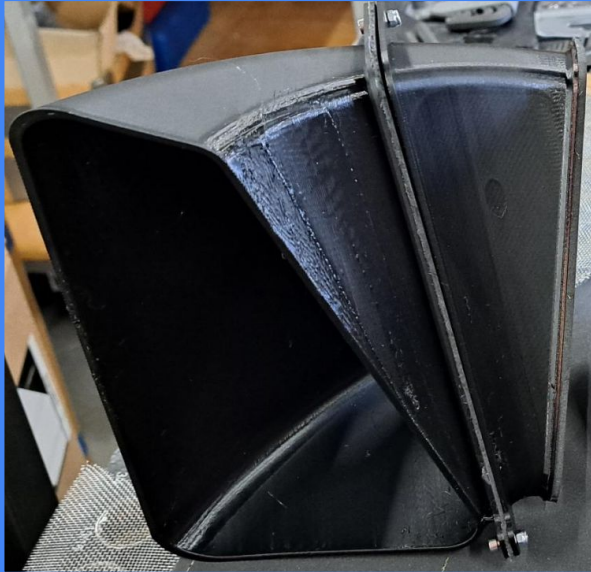
Control Arms



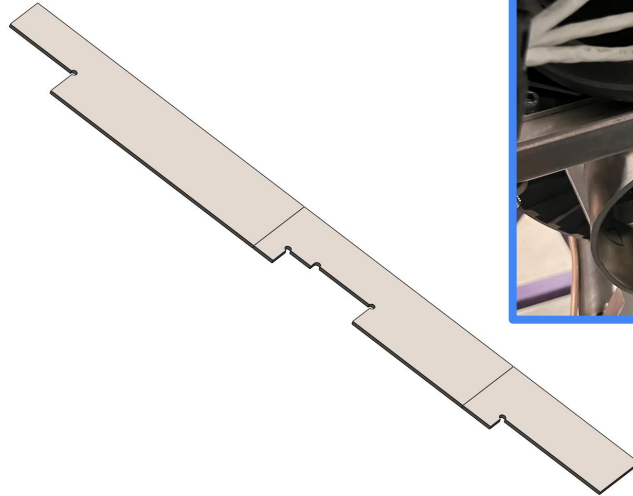
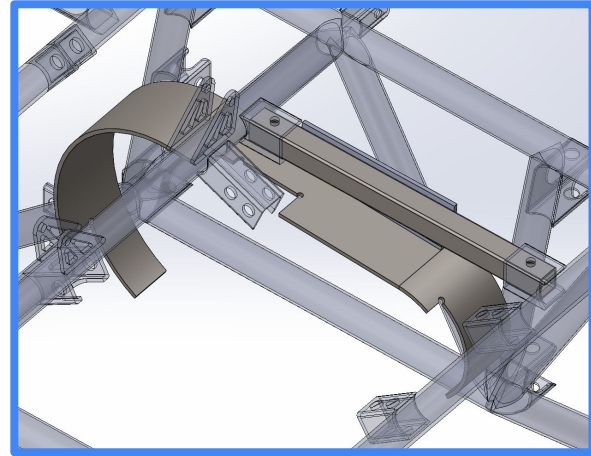
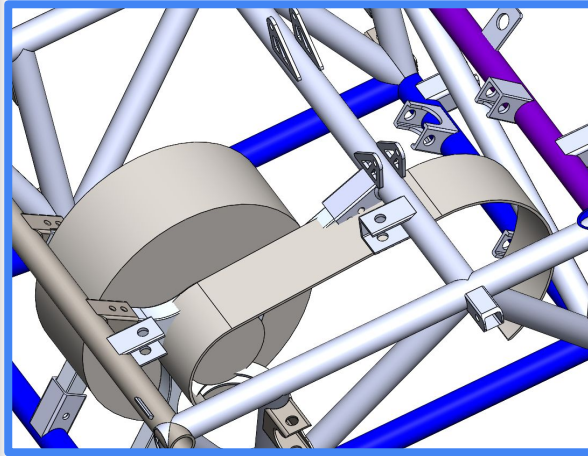
Steering



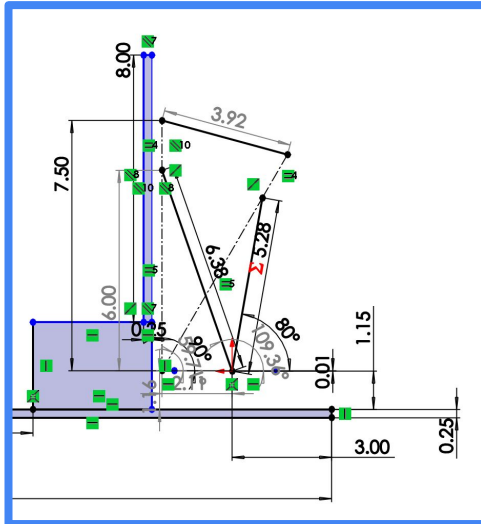
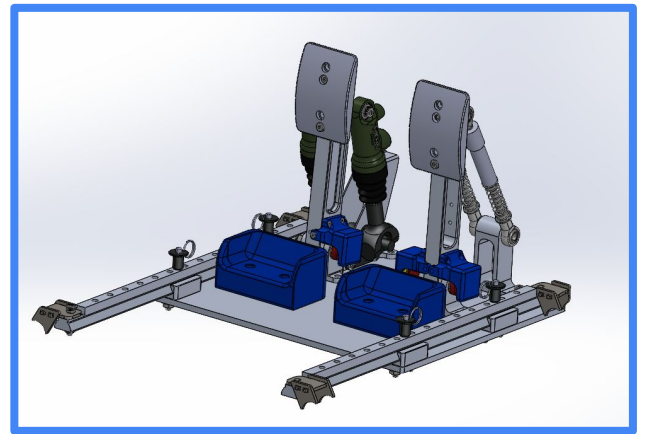
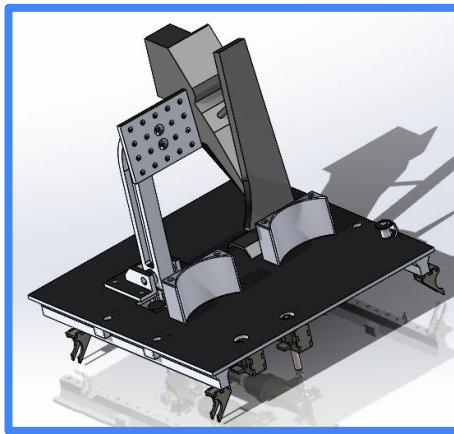
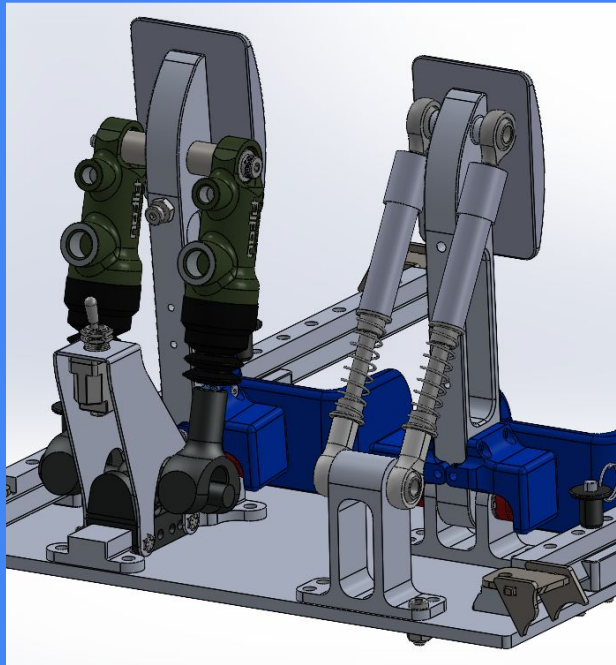
Accumulator Cooling



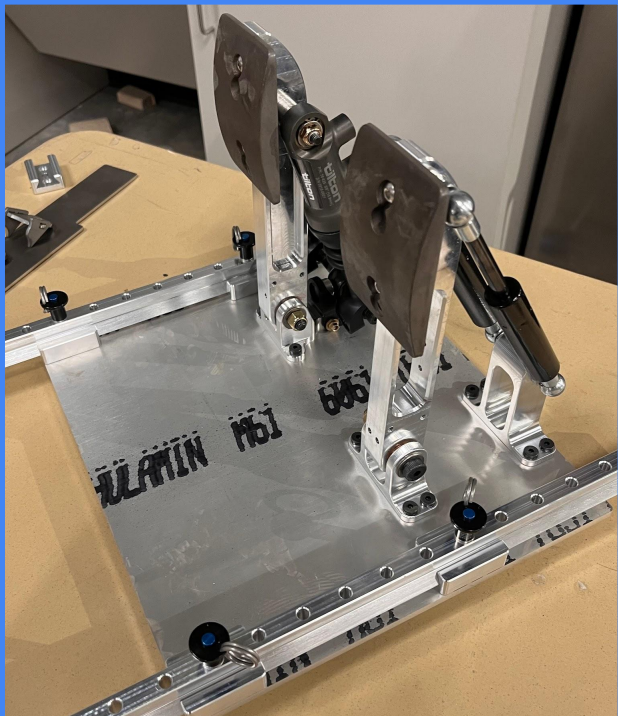
Chain Guard



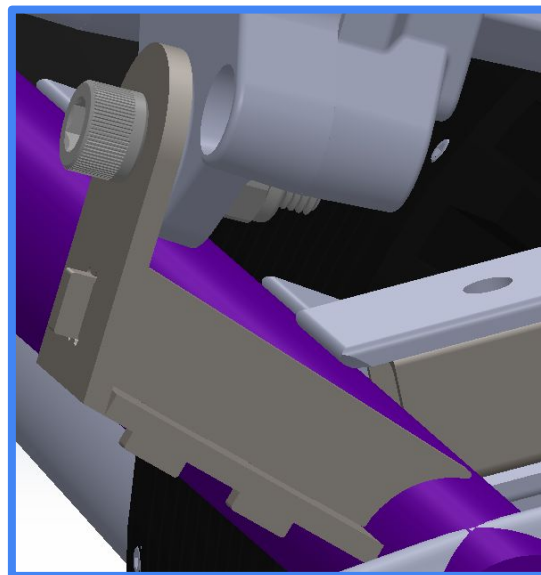
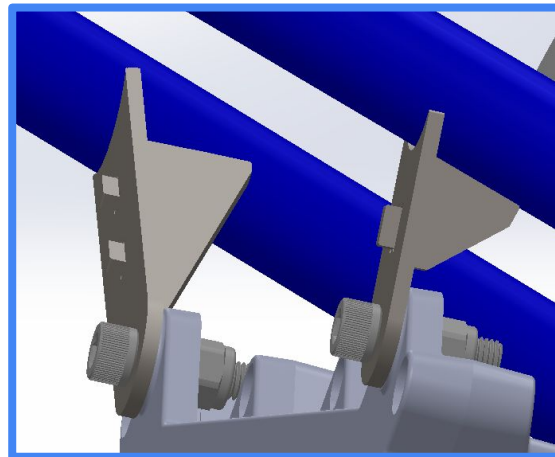
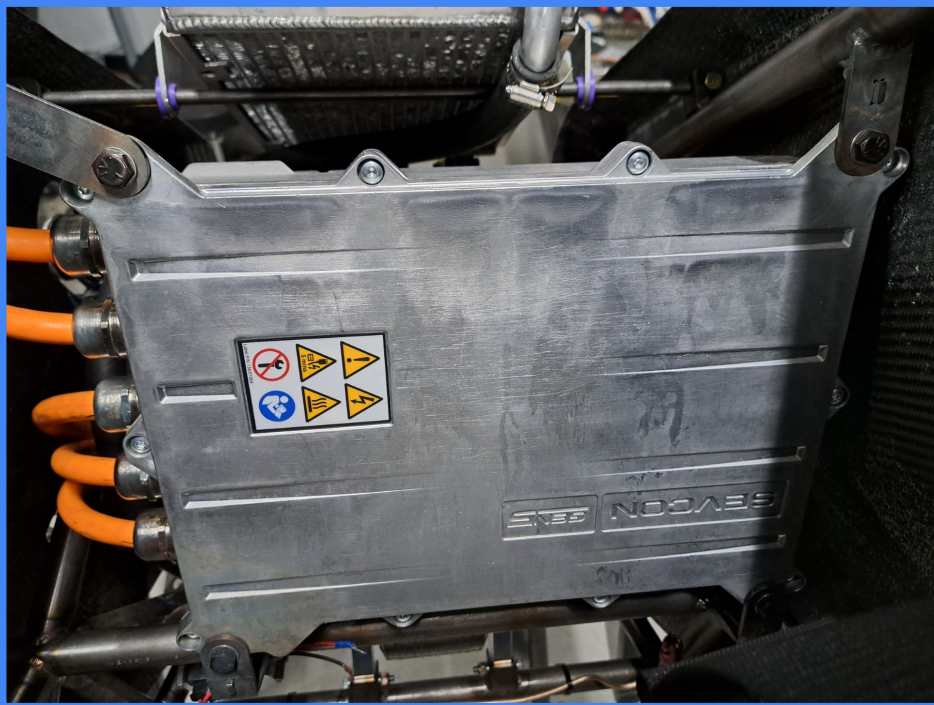
Pedal Box



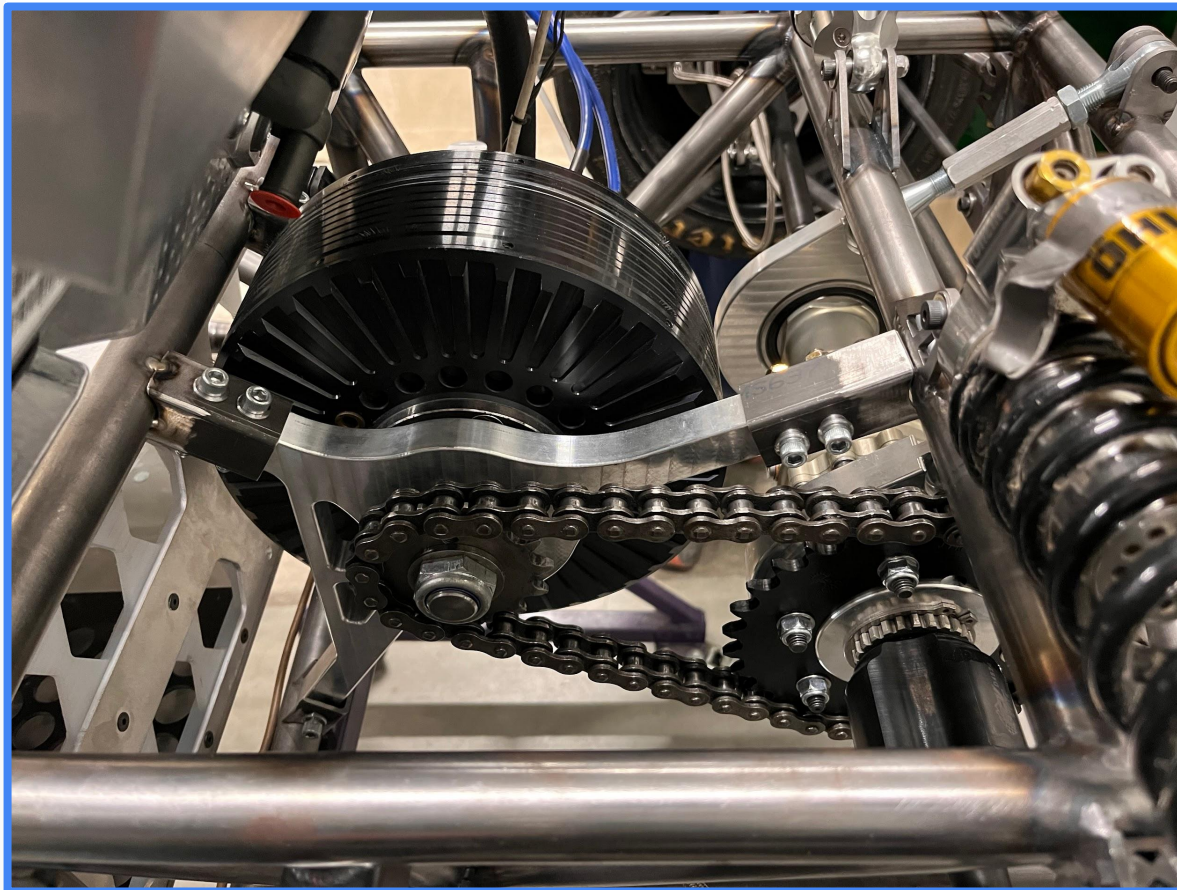
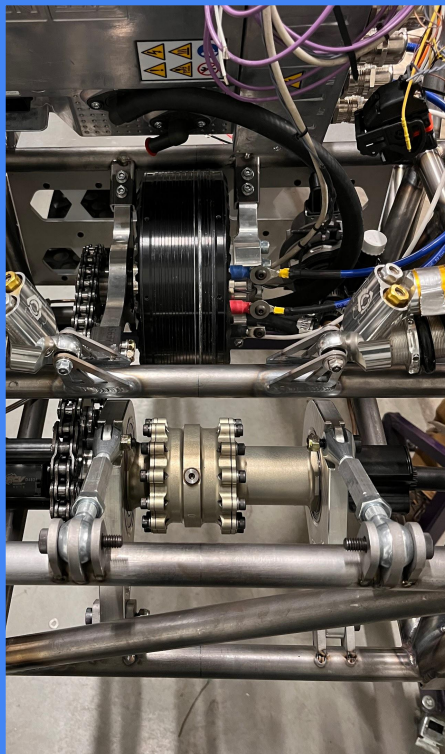
Pedal Box Manufacturing



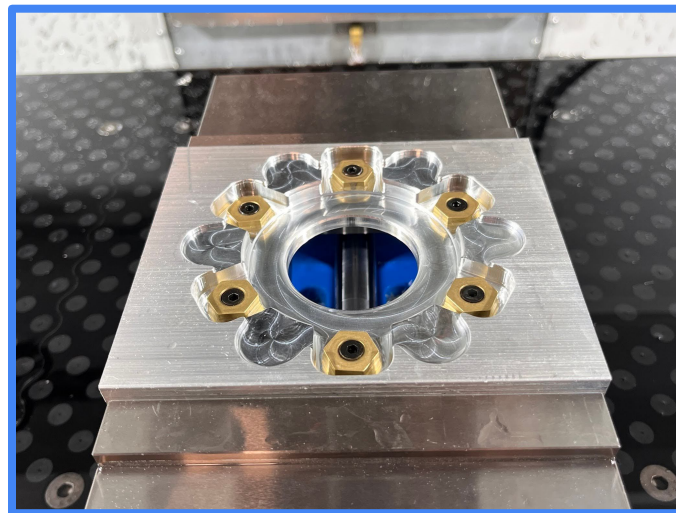
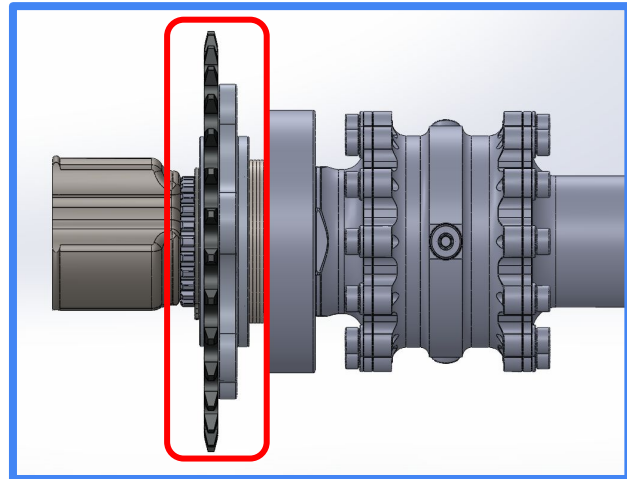
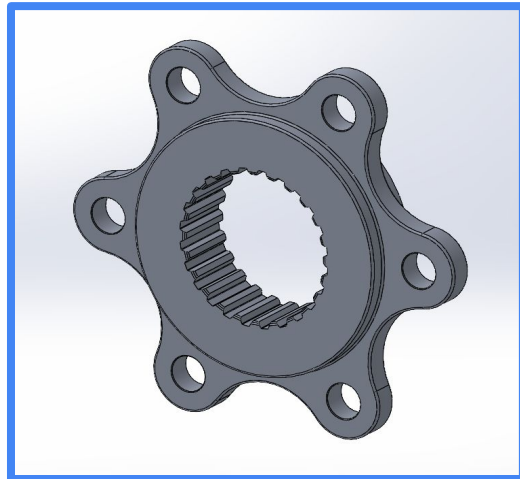
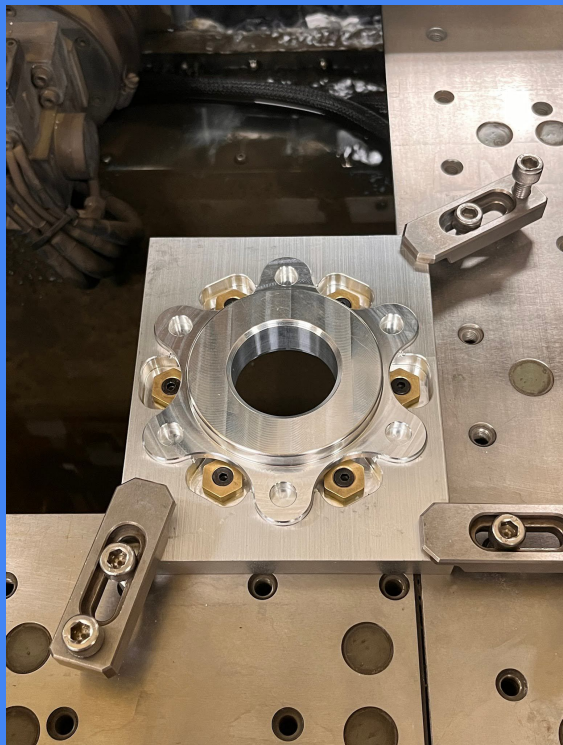
Inverter Mounting



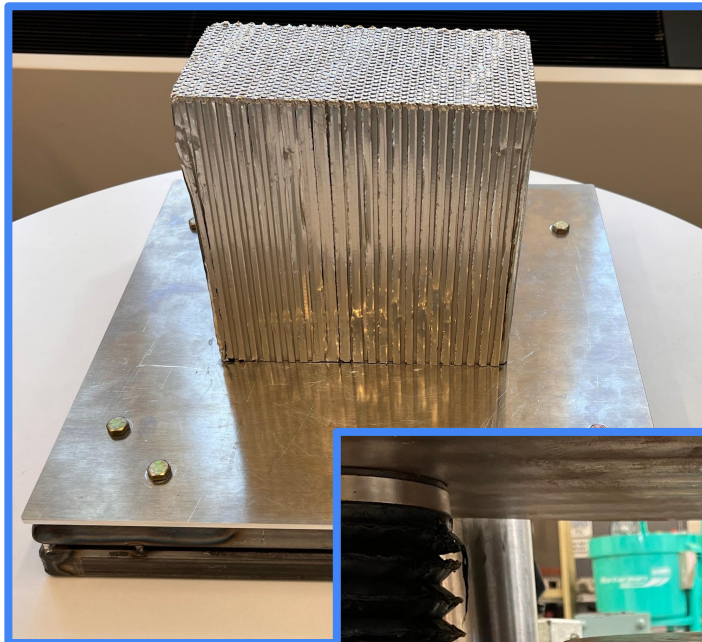
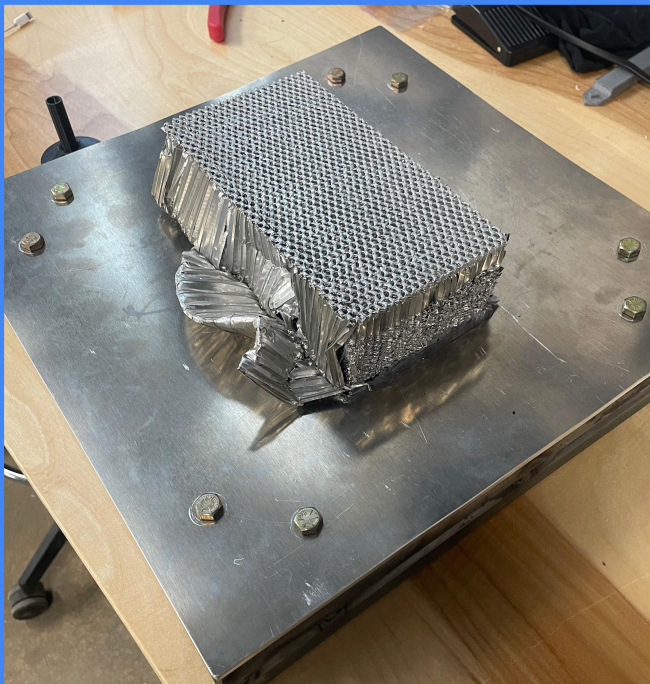
Drivetrain Assembly



Sprocket Carrier



Impact Attenuator



Package Assembly

